



*Carron*

SIMPLY SOME OF  
THE FINEST  
FIREPLACES AVAILABLE

Freephone 0808 129 2224  
[www.carron.uk.net](http://www.carron.uk.net)



*Carron*

SIMPLY SOME OF  
THE FINEST  
FIREPLACES AVAILABLE

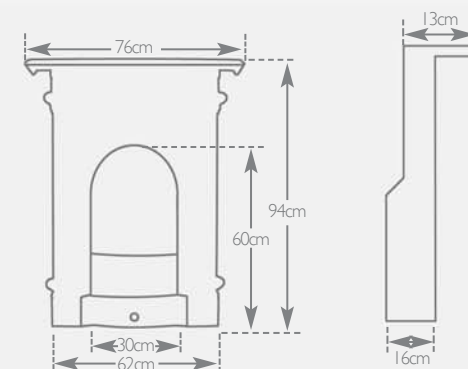
[www.carron.uk.net](http://www.carron.uk.net)



contents  
 combinations 2-22  
 inserts 23-42  
 hobs 42-43  
 baskets 44-46  
 surrounds 47-69  
 tiles 70-71  
 hearths 71

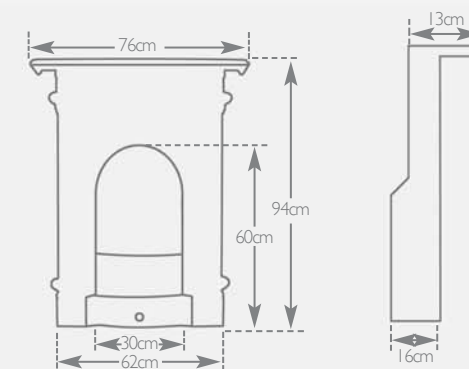


the victorian (small)



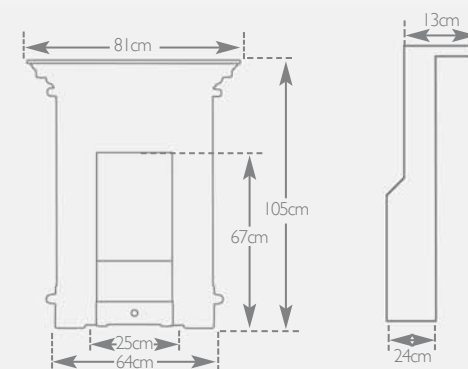
code: **HEF246**  
 circa: **1900**  
 style: **late victorian**  
 finish: **black**  
 ashpan: **DJX039**  
 no gas insert available  
 with this combination

the victorian (small)



code: **HEF043**  
 circa: **1900**  
 style: **late victorian**  
 finish: **full polish**  
 ashpan: **DJX039**  
 no gas insert available  
 with this combination

the uxbridge

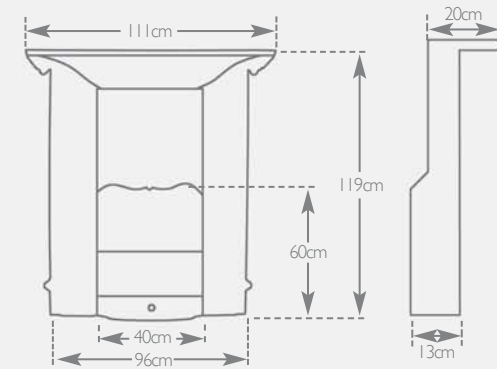


code: **RX294**  
 circa: **1870**  
 style: **victorian**  
 finish: **black**  
 no gas insert available  
 with this combination

© Carron Castings Ltd 2010

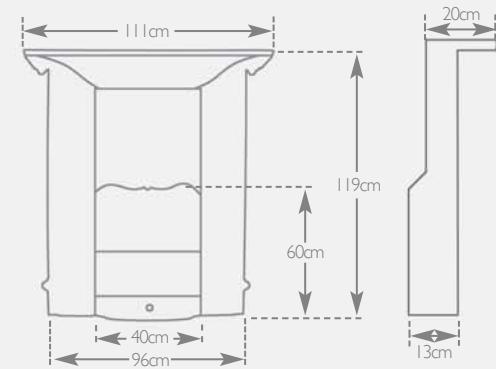


the toulouse



code: RX141  
 circa: 1900  
 style: art nouveau  
 finish: full polish  
 tiles shown: LGC065  
 (2 boxes required)  
 gas fire to suit: MLG067  
 flue type: class 1 & 2  
 gas fire heat input: 6kW  
 ashpan: DJX037

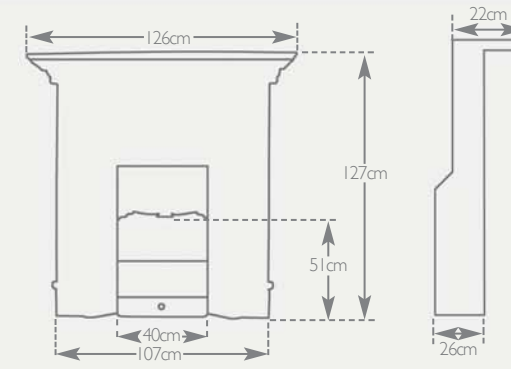
the toulouse



code: RX254  
 circa: 1900  
 style: art nouveau  
 finish: black  
 tiles shown: LGC080  
 (2 boxes required)  
 gas fire to suit: MLG067  
 flue type: class 1 & 2  
 gas fire heat input: 6kW  
 ashpan: DJX037

© Carron Castings Ltd 2010

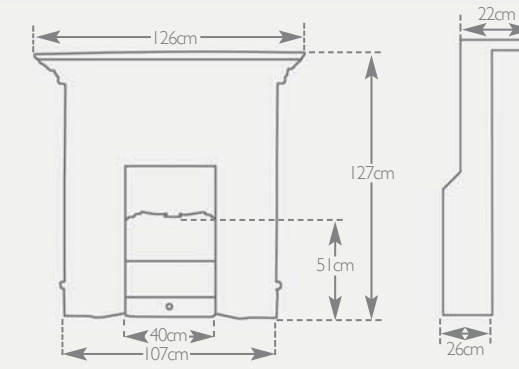
the verona



code: RX138  
 circa: 1900  
 style: art nouveau  
 finish: full polish  
 tiles shown: LGC012  
 gas fire to suit: MLG071  
 flue type: class 1 & 2  
 gas fire heat input: 6kW  
 ashpan: DJX037

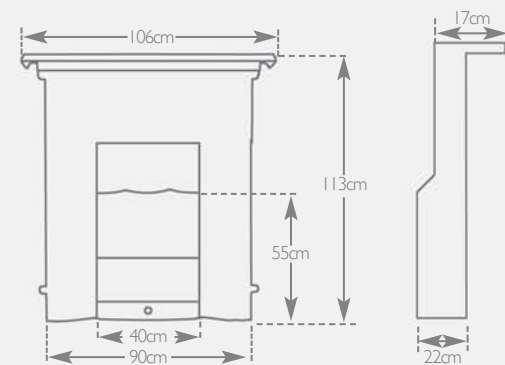
© Carron Castings Ltd 2010

the verona



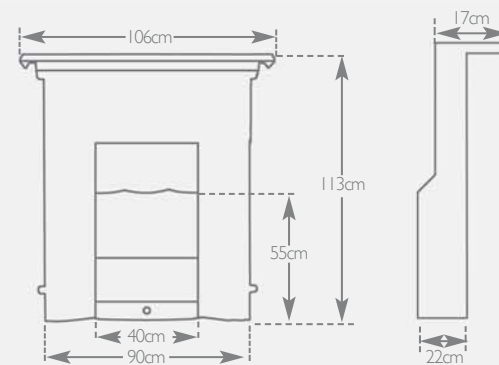
code: RX246  
 circa: 1900  
 style: art nouveau  
 finish: black  
 tiles shown: LGC087  
 gas fire to suit: MLG071  
 flue type: class 1 & 2  
 gas fire heat input: 6kW  
 ashpan: DJX037

the morris



code: **RX131**  
 circa: 1900  
 style: art nouveau  
 finish: full polish  
 tiles shown: **HEB051/LGC083**  
 gas fire to suit: **MLG069**  
 flue type: class 1 & 2  
 gas fire heat input: **6.95kW**  
 solid fuel brick: **RX212**  
 ashpan: **DJX037**

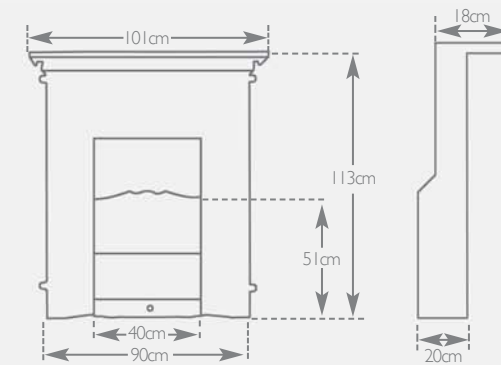
the morris



code: **RX132**  
 circa: 1900  
 style: art nouveau  
 finish: black  
 tiles shown: **HEB051/LGC083**  
 gas fire to suit: **MLG069**  
 flue type: class 1 & 2  
 gas fire heat input: **6.95kW**  
 solid fuel brick: **RX212**  
 ashpan: **DJX037**

© Carron Castings Ltd 2010

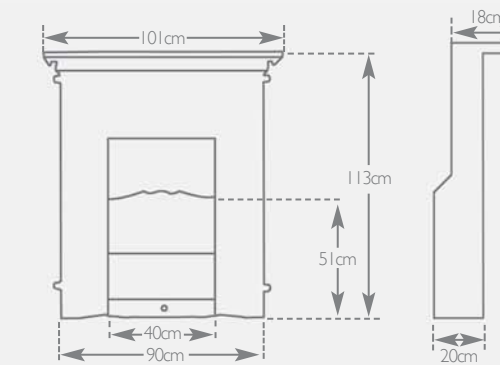
the valentine



code: **RX133**  
 circa: 1900  
 style: art nouveau  
 finish: full polish  
 tiles shown: **LGC087**  
 gas fire to suit: **MLG069**  
 flue type: class 1 & 2  
 gas fire heat input: **6.95kW**  
 solid fuel brick: **RX212**  
 ashpan: **DJX037**

© Carron Castings Ltd 2010

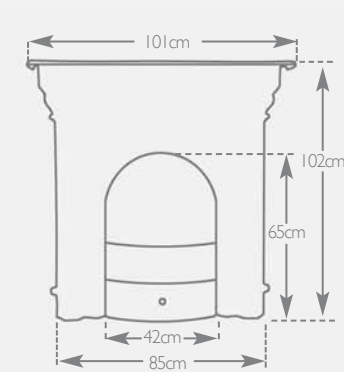
the valentine



code: **RX134**  
 circa: 1900  
 style: art nouveau  
 finish: black  
 tiles shown: **LGC087**  
 gas fire to suit: **MLG069**  
 flue type: class 1 & 2  
 gas fire heat input: **6.95kW**  
 solid fuel brick: **RX212**  
 ashpan: **DJX037**

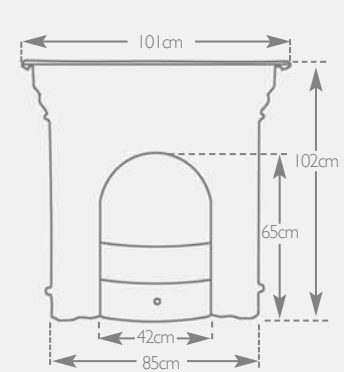


the tweed



code: **RX063**  
circa: 1890-1900  
style: late victorian  
finish: full polish  
gas fire to suit: **MLG005**  
flue type: **class 1 & 2**  
gas fire heat input: **6.95kW**  
solid fuel brick: **RX217**  
ashpan: **DJX036**

the tweed

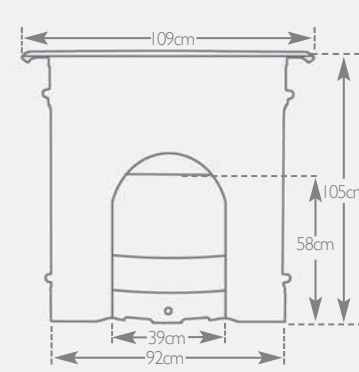


code: **RX084**  
circa: 1890-1900  
style: late victorian  
finish: black  
gas fire to suit: **MLG005**  
flue type: **class 1 & 2**  
gas fire heat input: **6.95kW**  
solid fuel brick: **RX217**  
ashpan: **DJX036**

© Carron Castings Ltd 2010

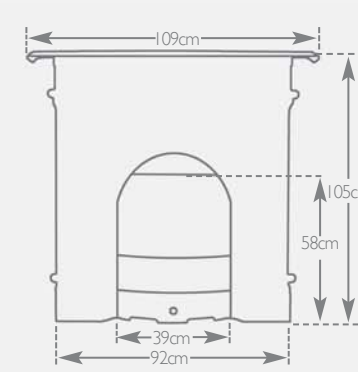
© Carron Castings Ltd 2010

the victorian (large)



code: **RX135**  
circa: 1900  
style: late victorian  
finish: full polish  
gas fire to suit: **MLG063**  
flue type: **class 1 & 2**  
gas fire heat input: **6kW**  
ashpan: **DJX037**

the victorian (large)



code: **RX136**  
circa: 1900  
style: late victorian  
finish: black  
gas fire to suit: **MLG063**  
flue type: **class 1 & 2**  
gas fire heat input: **6kW**  
ashpan: **DJX037**

the melrose



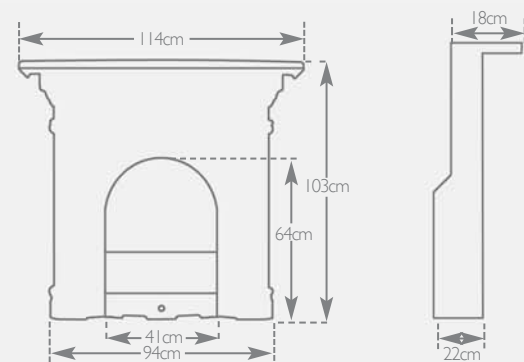
the melrose



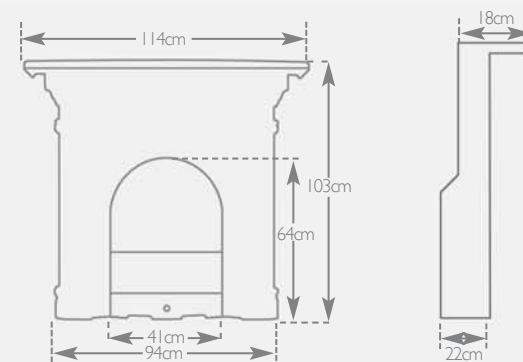
the jekyll



the jekyll



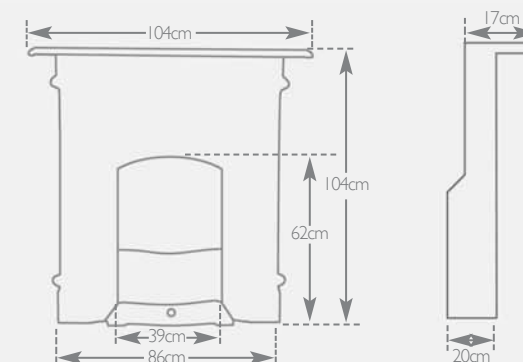
code: RX094  
 circa: 1890  
 style: victorian  
 finish: full polish  
 gas fire to suit: MLG035  
 flue type: class 1 & 2  
 gas fire heat input: 6kW  
 ashpan: DJX036



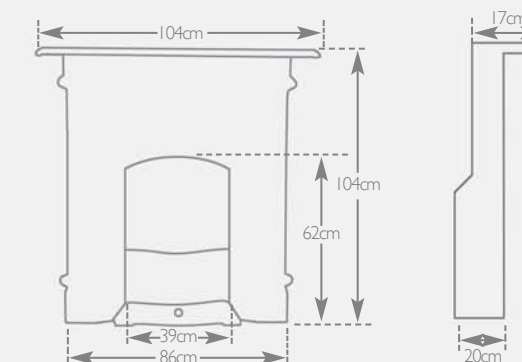
code: RX249  
 circa: 1890  
 style: victorian  
 finish: black  
 gas fire to suit: MLG035  
 flue type: class 1 & 2  
 gas fire heat input: 6kW  
 ashpan: DJX036

© Carron Castings Ltd 2010

© Carron Castings Ltd 2010



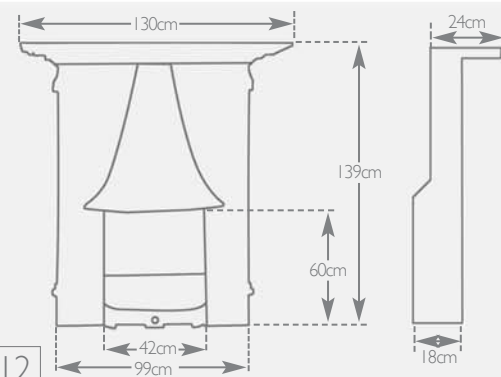
code: SEF002  
 circa: 1900  
 style: victorian/arts and crafts  
 finish: full polish  
 gas fire to suit: MLG023  
 flue type: class 1 & 2  
 gas fire heat input: 6kW  
 ashpan: DJX037



code: SEF011  
 circa: 1900  
 style: victorian/arts and crafts  
 finish: black  
 gas fire to suit: MLG023  
 flue type: class 1 & 2  
 gas fire heat input: 6kW  
 ashpan: DJX037

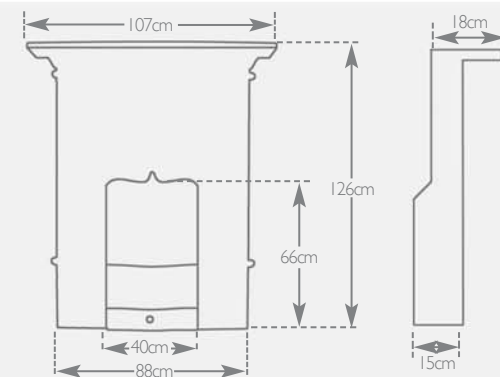


the classic



code: **RX120**  
 circa: **1900**  
 style: **art nouveau**  
 finish: **full polish**  
 gas fire to suit: **MLG058**  
 flue type: **class 1 & 2**  
 gas fire heat input: **6.95kW**  
 ashpan: **DJX037**

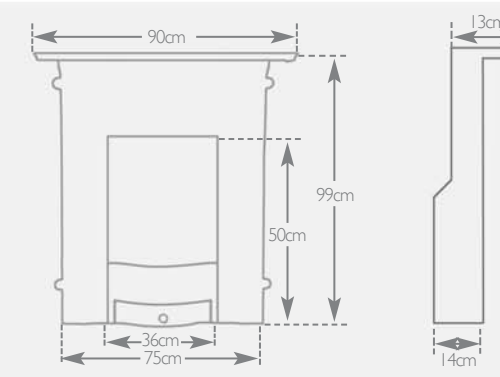
the carrington



code: **RX164**  
 circa: **1900**  
 style: **art nouveau**  
 finish: **black**  
 tiles shown: **LGC002 & LGC073**  
 no gas fire available with this combination

© Carron Castings Ltd 2010

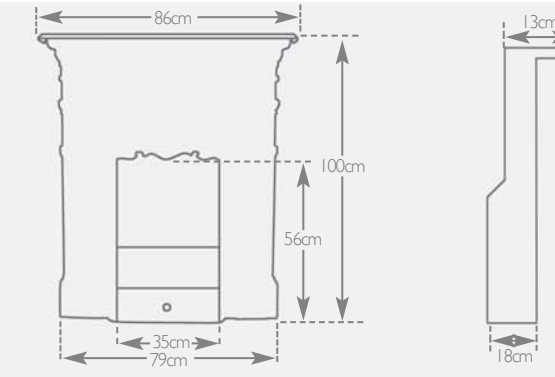
the oxford



code: **SEF008**  
 circa: **1890-1900**  
 style: **late victorian**  
 finish: **black**  
 no gas fire available with this combination

© Carron Castings Ltd 2010

the taj



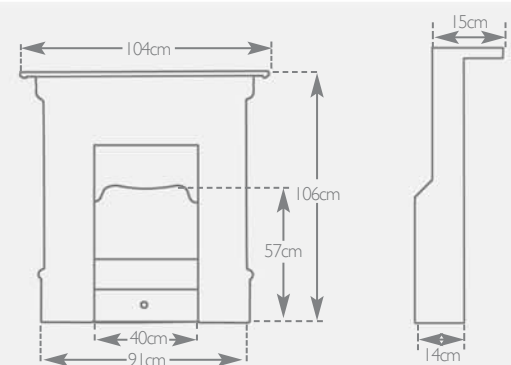
code: **SEF012**  
 circa: **1890**  
 style: **victorian**  
 finish: **black**  
 gas fire to suit: **MLG024**  
 flue type: **class 1 & 2**  
 gas fire heat input: **6kW**

the bella

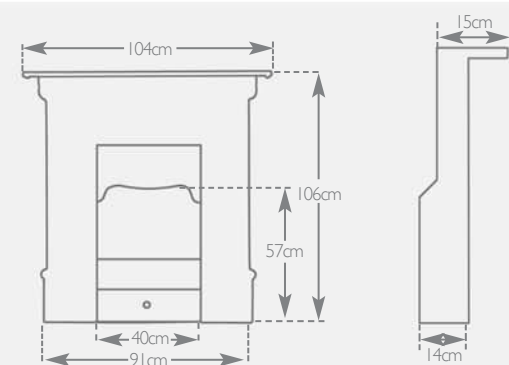
the bella

the gothic

the knaresborough

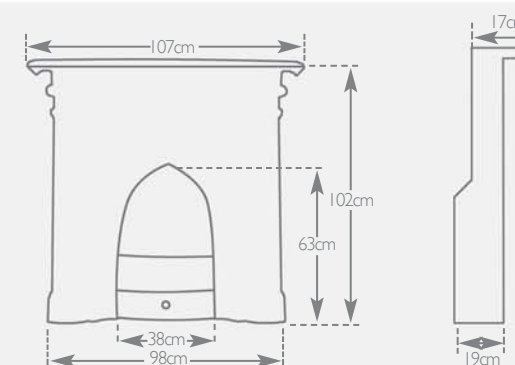


code: **RX060**  
 circa: **1900**  
 style: **art nouveau**  
 finish: **full polish**  
 gas fire to suit: **MLG010**  
 flue type: **class 1 & 2**  
 gas fire heat input: **6kW**  
 solid fuel brick: **RX215**  
 ashpan: **DJX037**



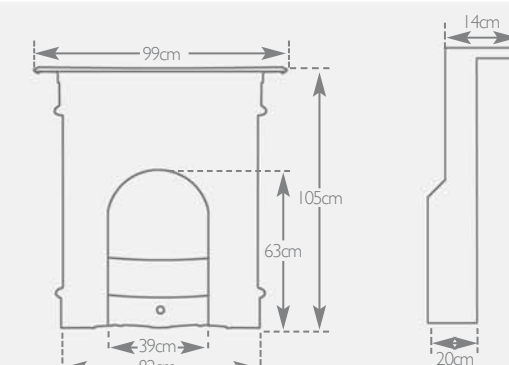
code: **RX090**  
 circa: **1900**  
 style: **art nouveau**  
 finish: **black**  
 gas fire to suit: **MLG010**  
 flue type: **class 1 & 2**  
 gas fire heat input: **6kW**  
 solid fuel brick: **RX215**  
 ashpan: **DJX037**

© Carron Castings Ltd 2010



code: **SEF001**  
 circa: **1880**  
 style: **gothic revival**  
 finish: **highlight polish**  
 gas fire to suit: **MLG057**

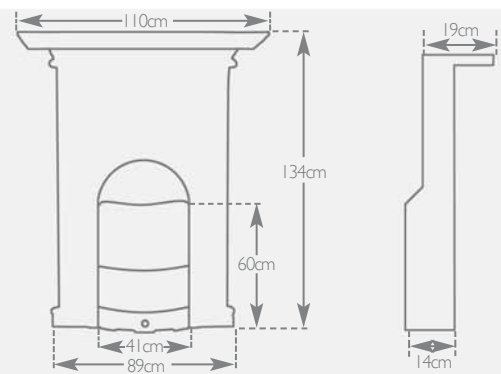
© Carron Castings Ltd 2010



code: **RX140**  
 circa: **1860**  
 style: **georgian**  
 finish: **black**  
 gas fire to suit: **MLG066**  
 flue type: **class 1 & 2**  
 gas fire heat input: **6kW**  
 ashpan: **DJX037**

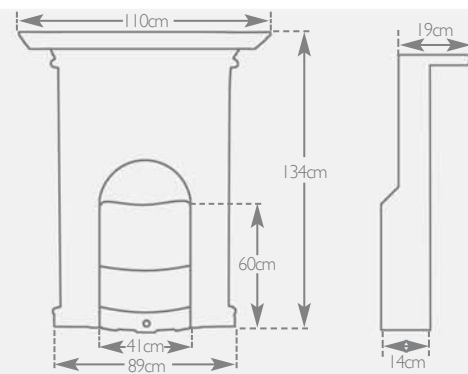


## the magnum



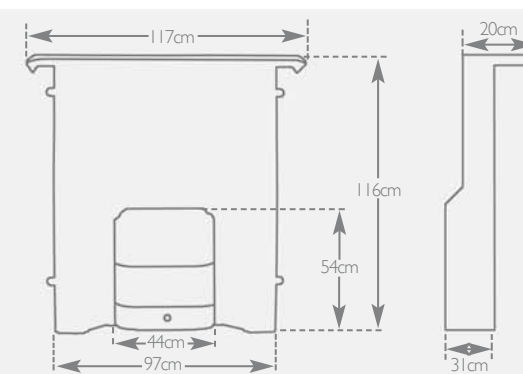
code: **RX095**  
 circa: 1900  
 style: art nouveau  
 finish: full polish  
 gas fire to suit: **MLG035**  
 flue type: class 1 & 2  
 gas fire heat input: 6kW  
 ashpan: **DJX037**

## the magnum



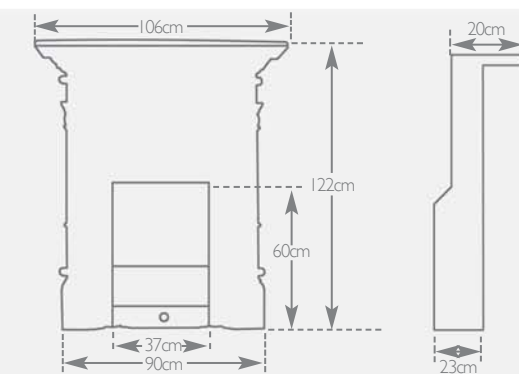
code: **RX248**  
 circa: 1900  
 style: art nouveau  
 finish: black  
 gas fire to suit: **MLG035**  
 flue type: class 1 & 2  
 gas fire heat input: 6kW  
 ashpan: **DJX037**

## the lambourn



code: **RX160**  
 circa: 1900  
 style: victorian  
 finish: black  
 tiles shown: **LGC067**  
 gas fire to suit: **MLG072**  
 flue type: class 1 & 2  
 gas fire heat input: 6.95kW  
 ashpan: **DJX036**

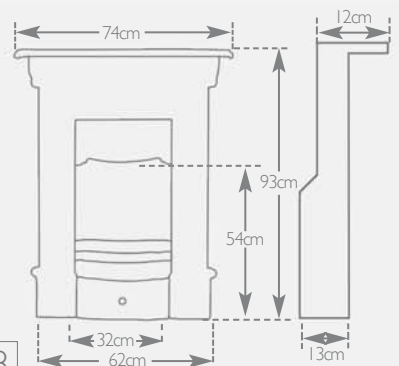
## the hamden



code: **RX163**  
 circa: 1900  
 style: victorian  
 finish: black  
 gas fire to suit: **MLG073**  
 flue type: class 1 & 2  
 gas fire heat input: 6.95kW  
 ashpan: **DJX037**



the **bella** (small)



code: SEF009  
circa: 1900  
style: art nouveau  
finish: full polish

ashpan: DJX039

no gas fire available  
with this combination

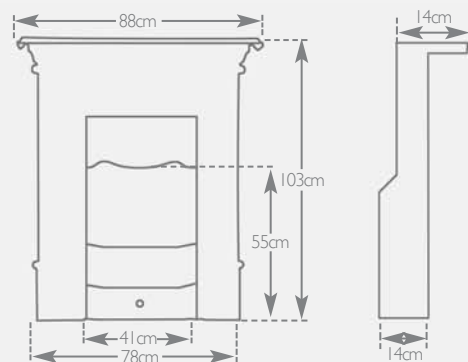
the **tulip**



code: RX089  
circa: 1900  
style: art nouveau  
finish: black

gas fire to suit: MLG018  
flue type: class 1 & 2  
gas fire heat input: 6kW

solid fuel brick: RX214  
ashpan: DJX037



code: RX059  
circa: 1900  
style: art nouveau  
finish: full polish

gas fire to suit: MLG018  
flue type: class 1 & 2  
gas fire heat input: 6kW

solid fuel brick: RX214  
ashpan: DJX037

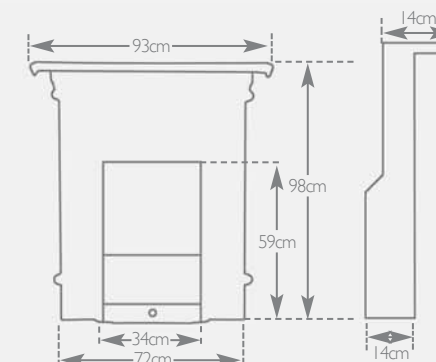
the **winchester**



code: SEF013  
circa: 1900  
style: art nouveau  
finish: highlight polish

gas fire to suit: MLG042  
flue type: class 1 & 2  
gas fire heat input: 6kW

ashpan: DJX039

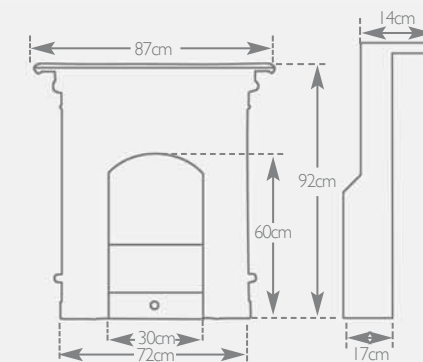


code: SEF014  
circa: 1900  
style: art nouveau  
finish: black

gas fire to suit: MLG042  
flue type: class 1 & 2  
gas fire heat input: 6kW

ashpan: DJX039

the **hawthorne**



code: RX139  
circa: 1860  
style: georgian  
finish: black

gas fire to suit: MLG065  
flue type: class 1 & 2  
gas fire heat input: 6kW

ashpan: DJX039

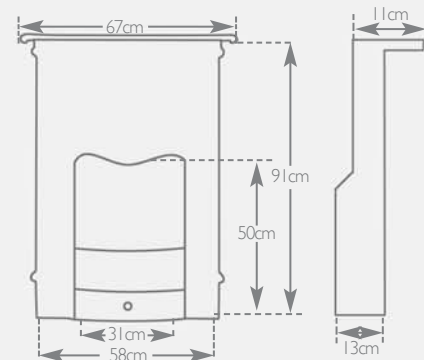


## the jasmine



code: HEF247  
circa: 1900  
style: art nouveau  
finish: black

gas fire to suit: **MLG040**  
flue type: **class 1 & 2**  
gas fire heat input: **6kW**  
ashpan: **DJX039**



code: HEF044  
circa: 1900  
style: art nouveau  
finish: full polish

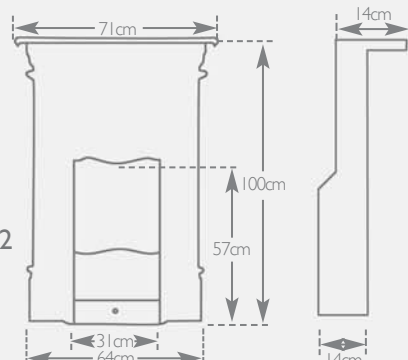
gas fire to suit: **MLG040**  
flue type: **class 1 & 2**  
gas fire heat input: **6kW**  
ashpan: **DJX039**

## the crocus



code: RX247  
circa: 1900  
style: art nouveau  
finish: black

gas fire to suit: **MLG017**  
flue type: **class 1 & 2**  
gas fire heat input: **6kW**  
ashpan: **DJX039**



© Carron Castings Ltd 2010



code: RX066  
circa: 1900  
style: art nouveau  
finish: full polish

gas fire to suit: **MLG017**  
flue type: **class 1 & 2**  
gas fire heat input: **6kW**  
ashpan: **DJX039**

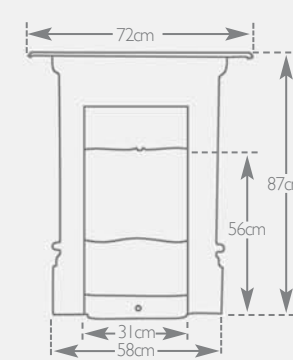
© Carron Castings Ltd 2010

## the abbott



code: SEF016  
circa: 1900  
style: art nouveau  
finish: highlight polish

ashpan: **DJX039**  
no gas fire available  
with this combination



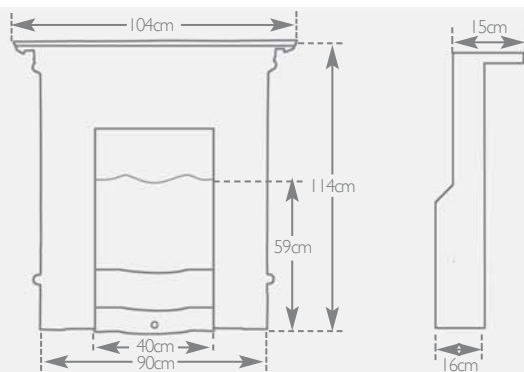
code: SEF015  
circa: 1900  
style: art nouveau  
finish: full polish

ashpan: **DJX039**  
no gas fire available  
with this combination



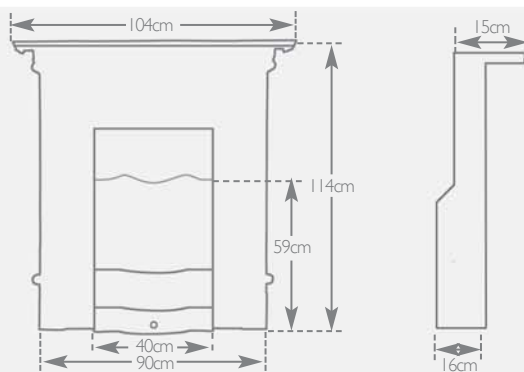


the abingdon



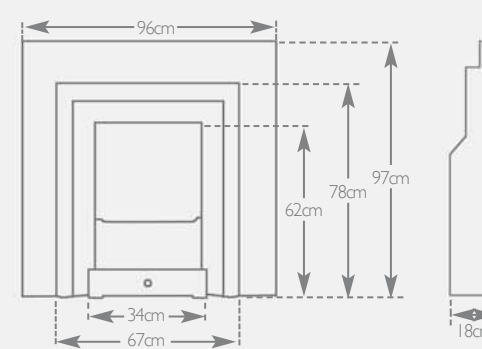
code: SEF018  
 circa: 1890 - 1900  
 style: late victorian  
 finish: full polish  
 gas fire to suit: MLG035  
 flue type: class 1 & 2  
 gas fire heat input: 6.95kW  
 ashpan: DJX037

the abingdon



code: SEF017  
 circa: 1890 - 1900  
 style: late victorian  
 finish: black  
 gas fire to suit: MLG035  
 flue type: class 1 & 2  
 gas fire heat input: 6.95kW  
 ashpan: DJX037

the royal (narrow opening)

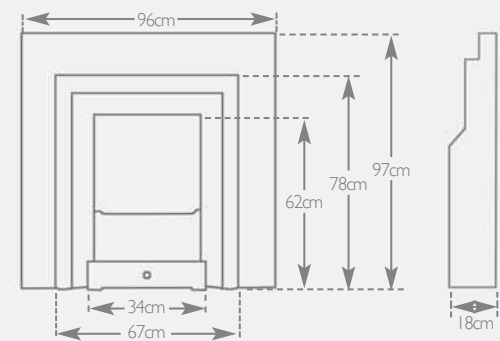


code: RX127  
 circa: 1870  
 style: victorian  
 finish: full polish  
 surround: RX144  
 gas fire to suit: MLG070  
 flue type: class 1 & 2  
 gas fire heat input: 6kW  
 ashpan: DJX037



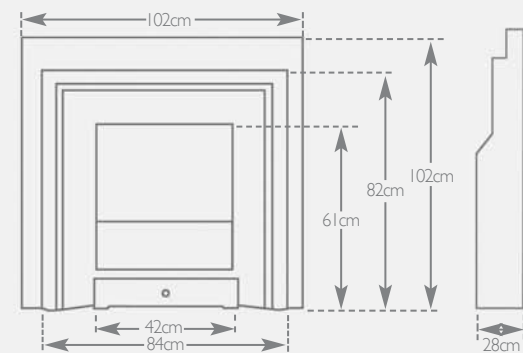


the royal (narrow opening)



code: **RX128**  
 circa: **1870**  
 style: **victorian**  
 finish: **black**  
 surround: **RX257**  
 gas fire to suit: **MLG070**  
 flue type: **class 1 & 2**  
 gas fire heat input: **6kW**  
 ashpan: **DJX037**

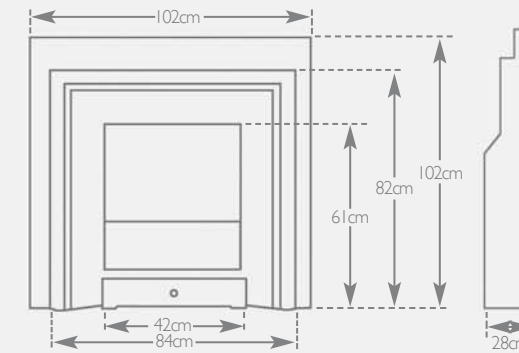
the royal



code: **RX130**  
 circa: **1870**  
 style: **victorian**  
 finish: **black**  
 surround: **RX101**  
 gas fire to suit: **MLG014**  
 flue type: **class 1 & 2**  
 gas fire heat input: **6.95kW**  
 solid fuel brick: **RX221**  
 ashpan: **DJX036**

© Carron Castings Ltd 2010

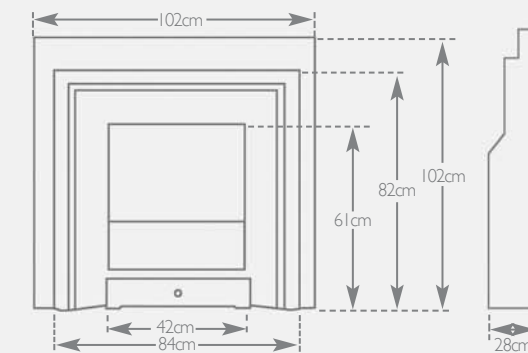
the royal



code: **RX283**  
 circa: **1870**  
 style: **victorian**  
 finish: **highlight polish**  
 surround: **RX101**  
 gas fire to suit: **MLG014**  
 flue type: **class 1 & 2**  
 gas fire heat input: **6.95kW**  
 solid fuel brick: **RX221**  
 ashpan: **DJX036**

© Carron Castings Ltd 2010

the royal



code: **RX129**  
 circa: **1870**  
 style: **victorian**  
 finish: **full polish**  
 surround: **RX100**  
 gas fire to suit: **MLG014**  
 flue type: **class 1 & 2**  
 gas fire heat input: **6.95kW**  
 solid fuel brick: **RX221**  
 ashpan: **DJX036**

Inserts



the scotia



the scotia



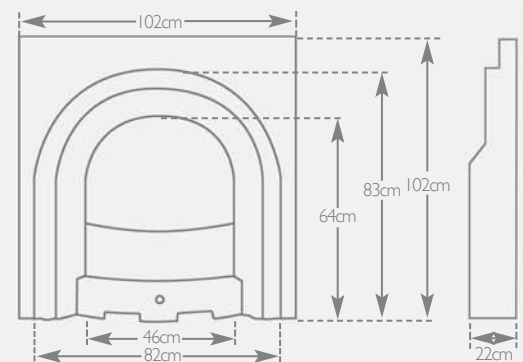
the london plate (wide opening)



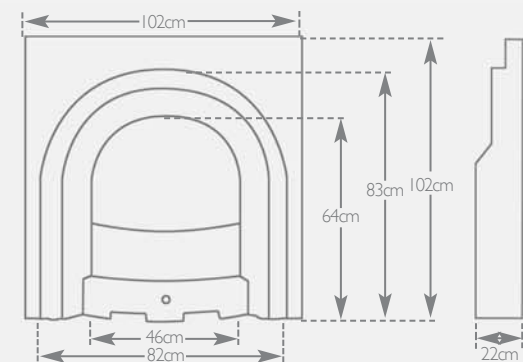
the london plate (wide opening)



Inserts



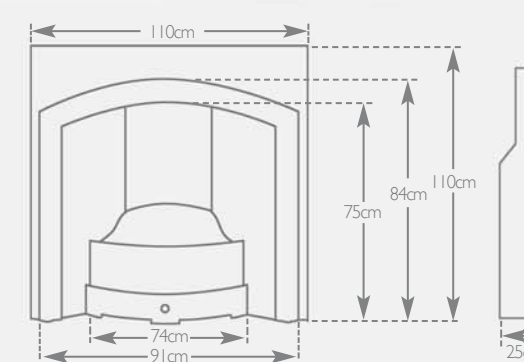
code: **RX077**  
 circa: **1860**  
 style: **early victorian**  
 finish: **full polish**  
 surround: **RX065**  
 gas fire to suit: **MLG006**  
 flue type: **class 1 & 2**  
 gas fire heat input: **6.95kW**  
 solid fuel brick: **RX216**  
 ashpan: **DJX036**



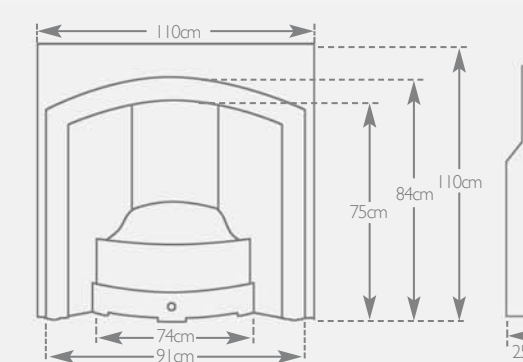
code: **RX087**  
 circa: **1860**  
 style: **early victorian**  
 finish: **black**  
 surround: **RX121**  
 gas fire to suit: **MLG006**  
 flue type: **class 1 & 2**  
 gas fire heat input: **6.95kW**  
 solid fuel brick: **RX216**  
 ashpan: **DJX036**

© Carron Castings Ltd 2010

© Carron Castings Ltd 2010



code: **RX142**  
 circa: **1880**  
 style: **victorian**  
 finish: **full polish**  
 surround: **RX112**  
 gas fire to suit: **MLG068**  
 flue type: **class 1 or 2**  
 gas fire heat input: **6.95kW**  
 solid fuel brick: **RX237**  
 ashpan: **DJX038**



code: **RX143**  
 circa: **1880**  
 style: **victorian**  
 finish: **black**  
 surround: **SMC113**  
 gas fire to suit: **MLG068**  
 flue type: **class 1 or 2**  
 gas fire heat input: **6.95kW**  
 solid fuel brick: **RX237**  
 ashpan: **DJX038**



the celtic arch



the celtic arch



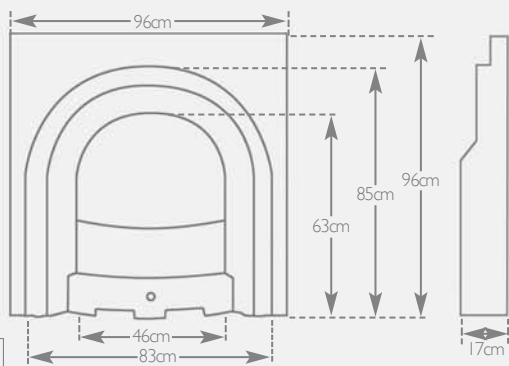
the celtic arch



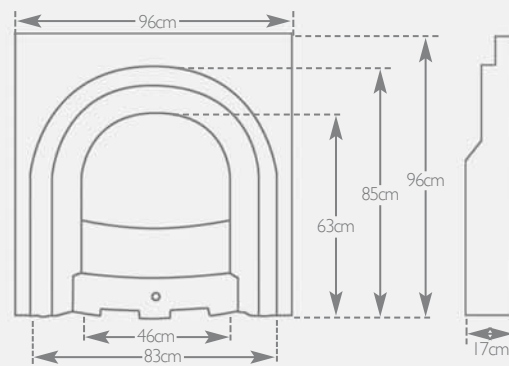
the celtic arch



Inserts



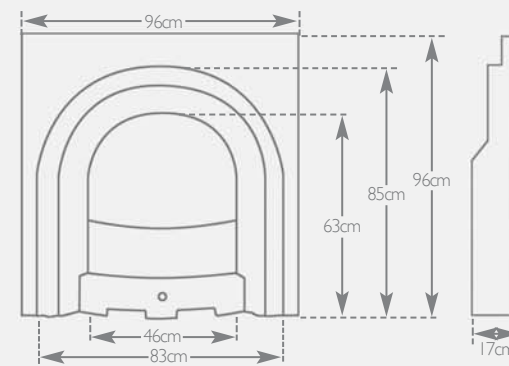
code: **RX082**  
 circa: 1880  
 style: **victorian**  
 finish: **full polish**  
 surround: **TH554**  
 gas fire to suit: **MLG001**  
 flue type: **class 1 & 2**  
 gas fire heat input: **6.95kW**  
 solid fuel brick: **RX226**  
 ashpan: **DJX036**



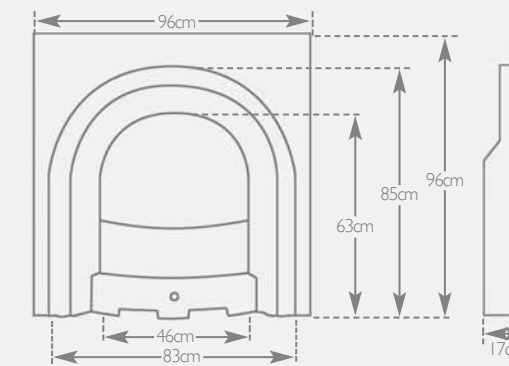
code: **RX293**  
 circa: 1880  
 style: **victorian**  
 finish: **half polish**  
 surround: **TH555**  
 gas fire to suit: **MLG001**  
 flue type: **class 1 & 2**  
 gas fire heat input: **6.95kW**  
 solid fuel brick: **RX226**  
 ashpan: **DJX036**

© Carron Castings Ltd 2010

© Carron Castings Ltd 2010



code: **RX010**  
 circa: 1880  
 style: **victorian**  
 finish: **highlight polish**  
 surround: **TH559**  
 gas fire to suit: **MLG001**  
 flue type: **class 1 & 2**  
 gas fire heat input: **6.95kW**  
 solid fuel brick: **RX226**  
 ashpan: **DJX036**



code: **RX204**  
 circa: 1880  
 style: **victorian**  
 finish: **black**  
 surround: **SSU068**  
 gas fire to suit: **MLG001**  
 flue type: **class 1 & 2**  
 gas fire heat input: **6.95kW**  
 solid fuel brick: **RX226**  
 ashpan: **DJX036**



the ce lux



the ce lux



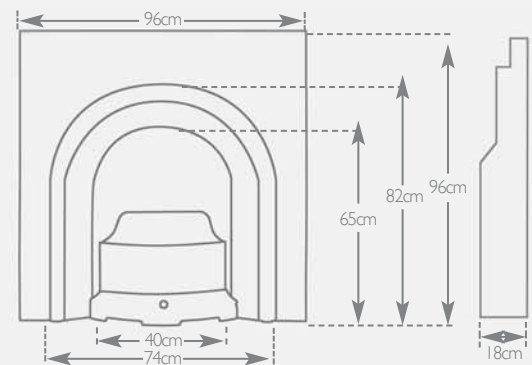
the lady victoria



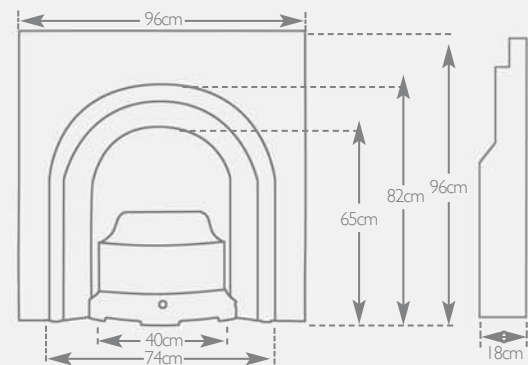
the lady victoria



Inserts



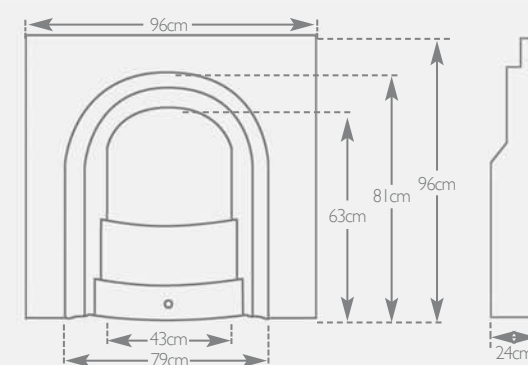
code: HEF304  
circa: 1870  
style: victorian  
finish: highlight polish  
surround: SSU066/TH557  
gas fire to suit: MLG069  
flue type: class 1 & 2  
gas fire heat input: 6.95kW  
ashpan: DJX036



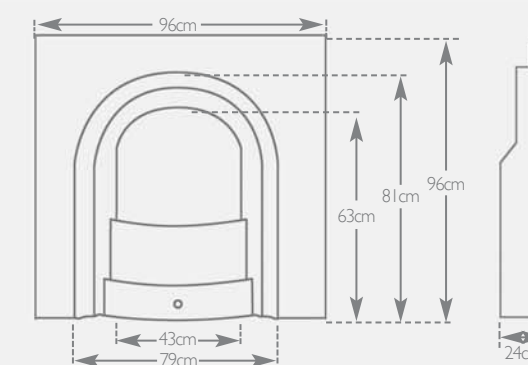
code: HEF321  
circa: 1870  
style: victorian  
finish: black  
surround: SSU066/TH557  
gas fire to suit: MLG069  
flue type: class 1 & 2  
gas fire heat input: 6.95kW  
ashpan: DJX036

© Carron Castings Ltd 2010

© Carron Castings Ltd 2010



code: RX179  
circa: 1870  
style: victorian  
finish: highlight polish  
surround: SMC007  
gas fire to suit: MLG006  
flue type: class 1 & 2  
gas fire heat input: 6.95kW  
solid fuel brick: RX238  
ashpan: DJX036



code: RX180  
circa: 1870  
style: victorian  
finish: black  
surround: SMC007  
gas fire to suit: MLG006  
flue type: class 1 & 2  
gas fire heat input: 6.95kW  
solid fuel brick: RX238  
ashpan: DJX036



the falkirk



the tiffany



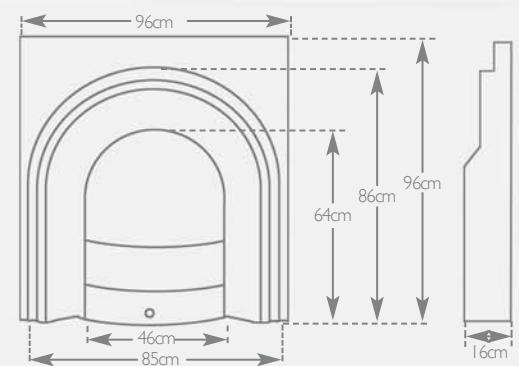
the prince



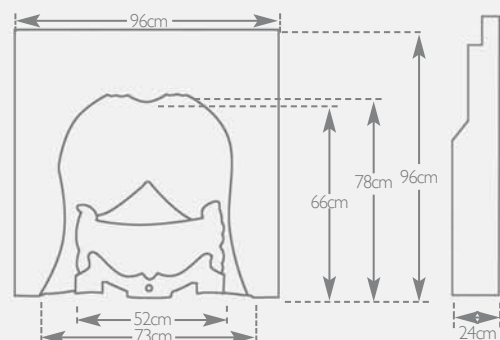
the prince



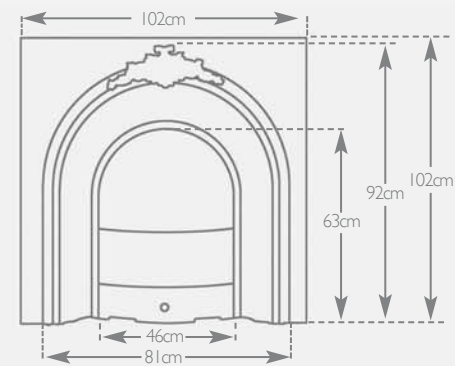
Inserts



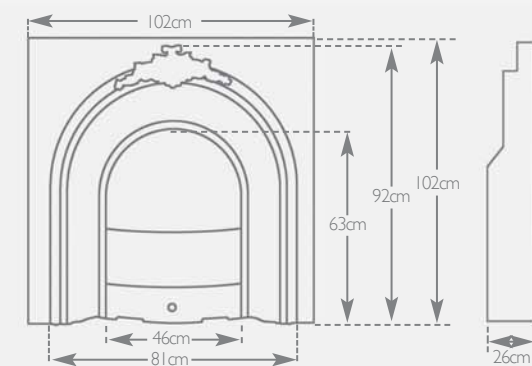
code: **RX003**  
 circa: **1880**  
 style: **victorian**  
 finish: **highlight polish**  
 surround: **TH558**  
 gas fire to suit: **MLG001**  
 flue type: **class 1 & 2**  
 gas fire heat input: **6.95kW**  
 ashpan: **DJX036**



code: **RX002**  
 circa: **1870**  
 style: **early victorian**  
 finish: **highlight polish**  
 surround: **TH552**  
 ashpan: **DJX036**  
 no gas fire available  
 with this insert



code: **RX078**  
 circa: **1880**  
 style: **victorian**  
 finish: **full polish**  
 surround: **RX112**  
 gas fire to suit: **MLG006**  
 flue type: **class 1 & 2**  
 gas fire heat input: **6.95kW**  
 solid fuel brick: **RX216**  
 ashpan: **DJX036**



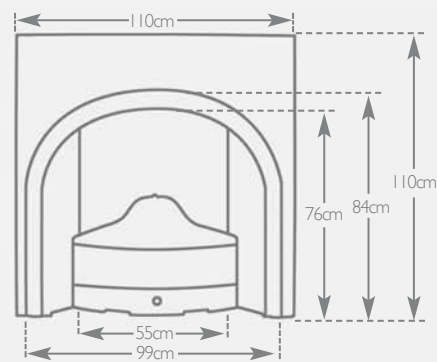
code: **RX088**  
 circa: **1880**  
 style: **victorian**  
 finish: **black**  
 surround: **RX256**  
 gas fire to suit: **MLG006**  
 flue type: **class 1 & 2**  
 gas fire heat input: **6.95kW**  
 solid fuel brick: **RX216**  
 ashpan: **DJX036**

© Carron Castings Ltd 2010

© Carron Castings Ltd 2010

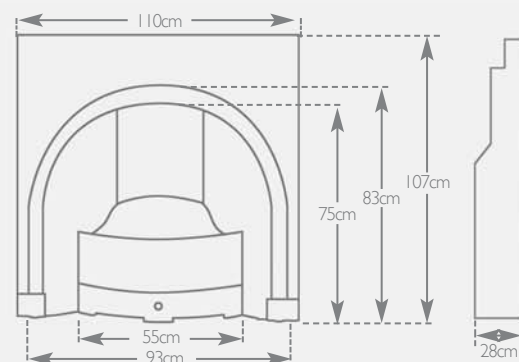


the westminster



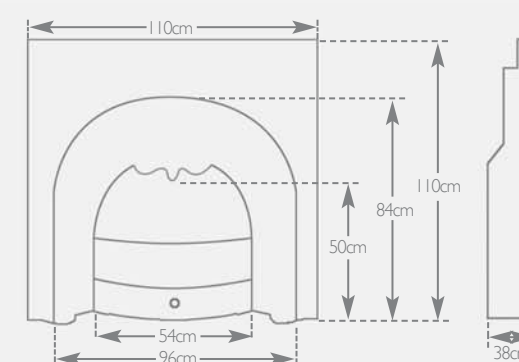
code: **RX114**  
 circa: 1860  
 style: **georgian**  
 finish: **highlight polish**  
 surround: **RX101**  
 gas fire to suit: **MLG045**  
 flue type: **class 1 or 2**  
 gas fire heat input: **6.95kW**  
 solid fuel brick: **RX236**  
 ashpan: **DJX038**

the kensington



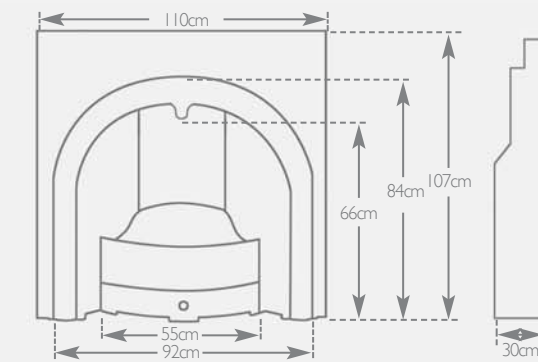
code: **RX110**  
 circa: 1840  
 style: **georgian**  
 finish: **brass trim highlight**  
 surround: **RX101**  
 gas fire to suit: **MLG055**  
 flue type: **class 1 only**  
 gas fire heat input: **8.5kW**  
 solid fuel brick: **RX237**  
 ashpan: **DJX038**

the rococo



code: **RX263**  
 circa: 1750  
 style: **rococo**  
 finish: **black**  
 surround: **SMC113**  
 gas fire to suit: **MLG068**  
 flue type: **class 1 or 2**  
 gas fire heat input: **6.95kW**  
 solid fuel brick: **RX237**  
 ashpan: **DJX038**

the cherub



code: **RX145**  
 circa: 1860  
 style: **georgian**  
 finish: **highlight polish**  
 surround: **RX101**  
 gas fire to suit: **MLG068**  
 flue type: **class 1 or 2**  
 gas fire heat input: **6.95kW**  
 solid fuel brick: **RX237**  
 ashpan: **DJX038**

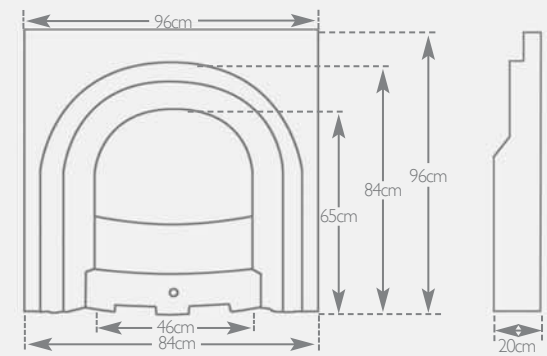
Inserts

© Carron Castings Ltd 2010

© Carron Castings Ltd 2010

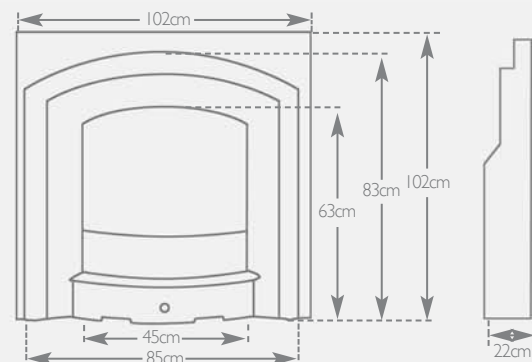


the aylesbury arch



code: RX275  
 circa: 1880  
 style: victorian  
 finish: highlight polish  
 surround: SMC116  
 gas fire to suit: MLG001  
 flue type: class 1 & 2  
 gas fire heat input: 6.95kW  
 ashpan: DJX036

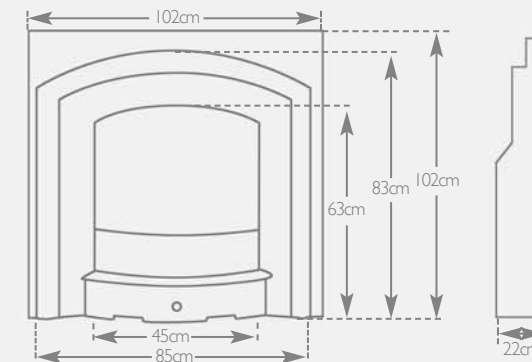
the london plate



code: RX091  
 circa: 1880  
 style: early victorian  
 finish: full polish  
 surround: SMC103  
 gas fire to suit: MLG005  
 flue type: class 1 or 2  
 gas fire heat input: 6.95kW  
 solid fuel brick: RX222  
 ashpan: DJX036

© Carron Castings Ltd 2010

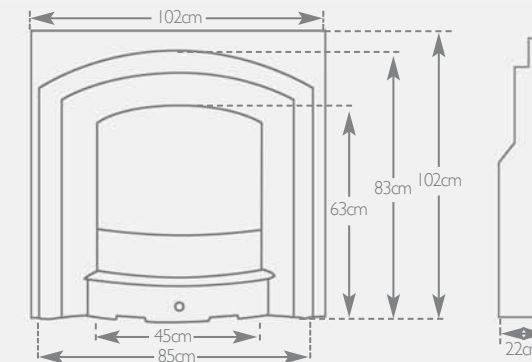
the london plate



code: RX092  
 circa: 1880  
 style: early victorian  
 finish: black  
 surround: SMC103  
 gas fire to suit: MLG005  
 flue type: class 1 or 2  
 gas fire heat input: 6.95kW  
 solid fuel brick: RX222  
 ashpan: DJX036

© Carron Castings Ltd 2010

the london plate



code: RX205  
 circa: 1880  
 style: early victorian  
 finish: highlight polish  
 surround: SMC103  
 gas fire to suit: MLG005  
 flue type: class 1 or 2  
 gas fire heat input: 6.95kW  
 solid fuel brick: RX222  
 ashpan: DJX036

Inserts



the addison arch



the addison arch



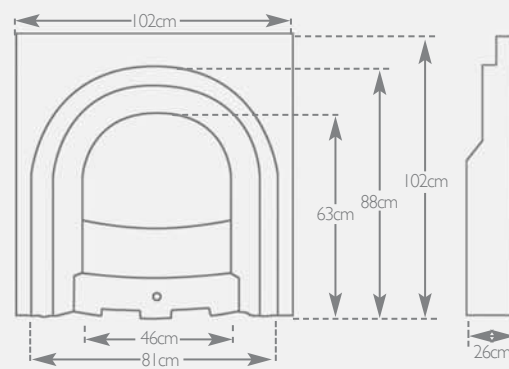
the laurel



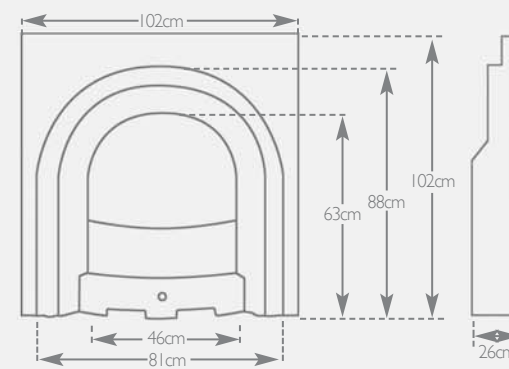
the laurel



Inserts

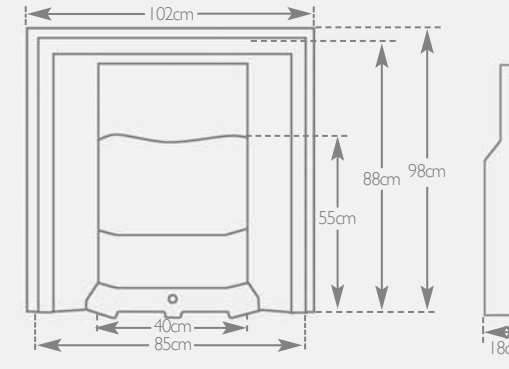


code: **RX200**  
 circa: **1880**  
 style: **victorian**  
 finish: **full polish**  
 surround: **TH553**  
 gas fire to suit: **MLG006**  
 flue type: **class 1 & 2**  
 gas fire heat input: **6.95kW**  
 solid fuel brick: **RX216**  
 ashpan: **DJX036**



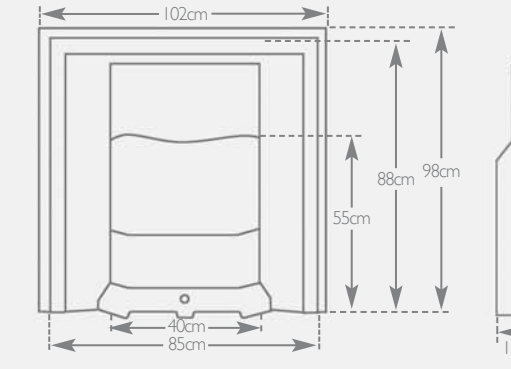
code: **RX201**  
 circa: **1880**  
 style: **victorian**  
 finish: **black**  
 surround: **TH553**  
 gas fire to suit: **MLG006**  
 flue type: **class 1 & 2**  
 gas fire heat input: **6.95kW**  
 solid fuel brick: **RX216**  
 ashpan: **DJX036**

© Carron Castings Ltd 2010



code: **HEF341**  
 circa: **1905**  
 style: **late victorian**  
 finish: **highlight polish**  
 surround: **SMC109**  
 tiles: **LGC013**  
 gas fire to suit: **MLG036**  
 flue type: **class 1 & 2**  
 gas fire heat input: **6.95kW**  
 ashpan: **DJX037**

© Carron Castings Ltd 2010



code: **HEF343**  
 circa: **1905**  
 style: **late victorian**  
 finish: **black**  
 surround: **SMC109**  
 tiles: **LGC013**  
 gas fire to suit: **MLG036**  
 flue type: **class 1 & 2**  
 gas fire heat input: **6.95kW**  
 ashpan: **DJX037**



the aladdin



the morgan



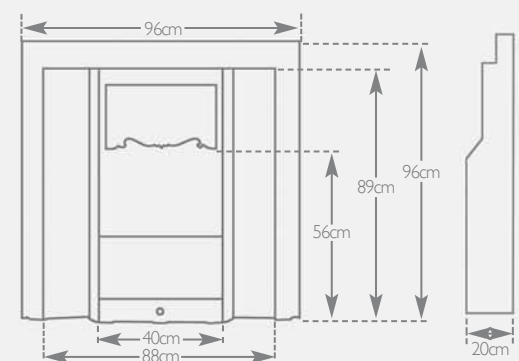
the sherwood



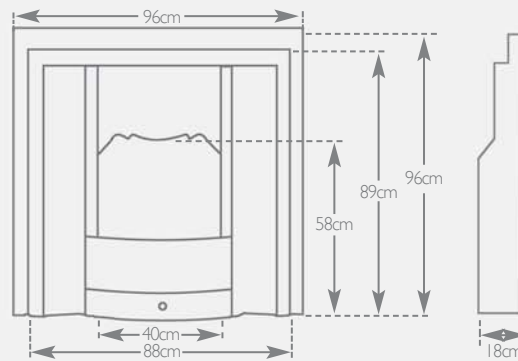
the daisy



Inserts

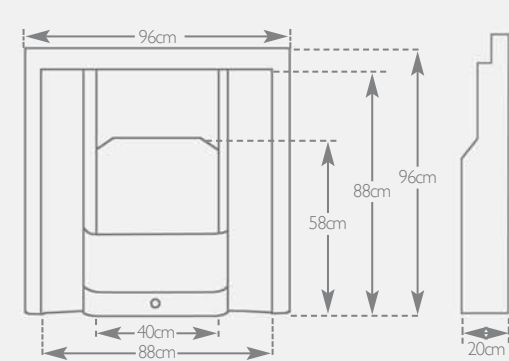


code: RX123  
circa: 1900  
style: late victorian  
finish: highlight polish  
surround: SMC008  
tiles: HEB095  
gas fire to suit: MLG060  
flue type: class 1 & 2  
gas fire heat input: 6.95kW  
ashpan: DJX037



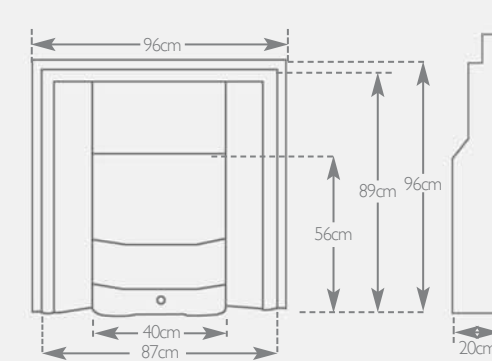
code: RX124  
circa: 1900  
style: late victorian  
finish: highlight polish  
surround: SMC151  
tiles: LGC021  
gas fire to suit: MLG061  
flue type: class 1 & 2  
gas fire heat input: 6.95kW  
ashpan: DJX036

© Carron Castings Ltd 2010



code: RX009 surround: SMC101  
circa: 1905 tiles: RX080  
style: late victorian  
finish: highlight polish  
gas fire to suit: MLG015  
flue type: class 1 & 2  
gas fire heat input: 6.95kW  
ashpan: DJX036

© Carron Castings Ltd 2010



code: RX125 surround: SMC011  
circa: 1890 - 1900 tiles: HEB093  
style: art nouveau  
finish: highlight polish  
gas fire to suit: MLG062  
flue type: class 1 & 2  
gas fire heat input: 6.95kW  
ashpan: DJX036



the camden



the queensferry



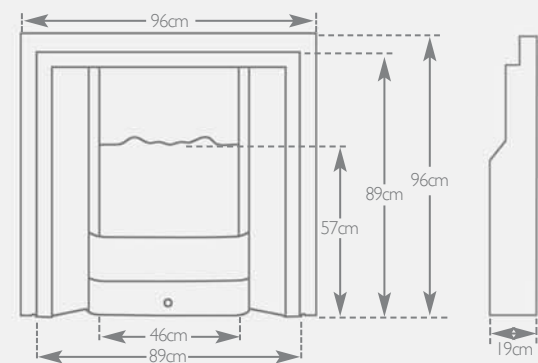
the cambridge



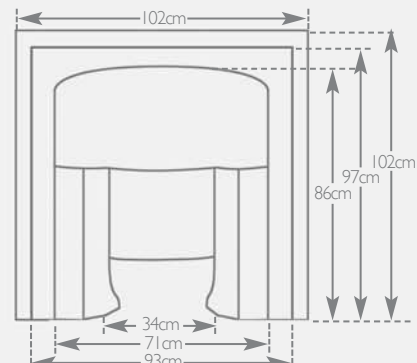
the moffat



hobs



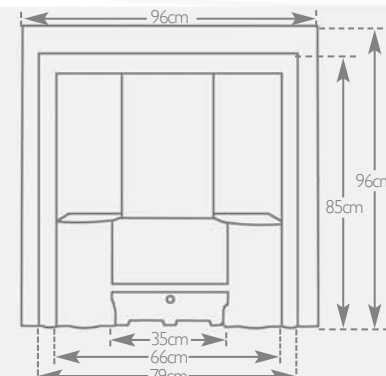
code: **RX001** surround: **TH556**  
 circa: **1880** tiles: **LGC072**  
 style: **victorian**  
 finish: **highlight polish**  
 gas fire to suit: **MLG026**  
 flue type: **class 1 & 2**  
 gas fire heat input: **6.95kW**  
 ashpan: **RX282**



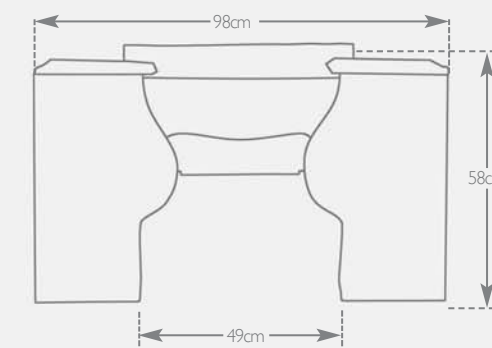
code: **HEB203**  
 circa: **1830 - 1840**  
 style: **georgian**  
 finish: **black**  
 surround: **SMC113**  
 gas fire to suit: **MLG037**  
 flue type: **class 1 & 2**  
 gas fire heat input: **6kW**

© Carron Castings Ltd 2010

© Carron Castings Ltd 2010



code: **RX097**  
 circa: **1900**  
 style: **victorian**  
 finish: **highlight polish**  
 surround: **RX256**  
 tiles shown: **LGC091 & LGC059**  
 (2 boxes required)  
 no gas fire available with this basket



code: **HEB205**  
 circa: **1800**  
 style: **early georgian**  
 finish: **black**  
 no gas fire available with this basket





the torch

the dorchester

the balmoral

the garland

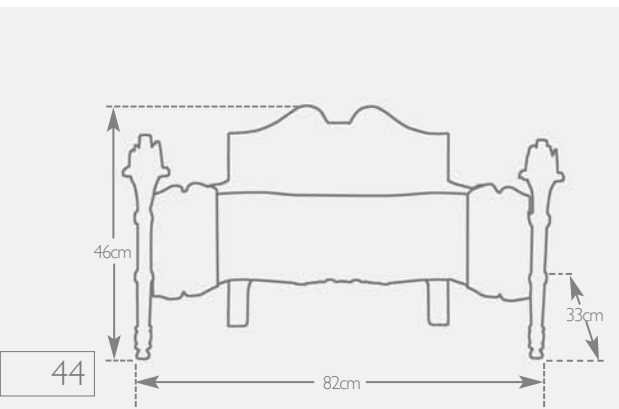
the griffin

the castillo

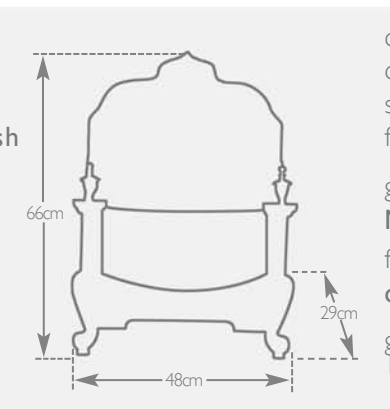


ashpan cover to suit: RX202

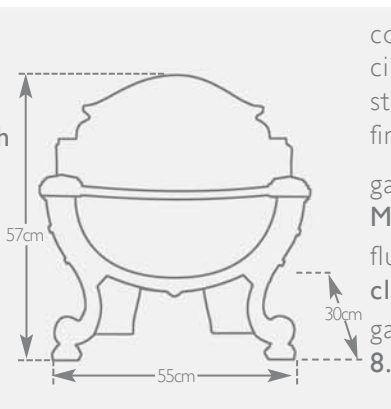
ashpan cover to suit: RX203



code: SEF005  
circa: 1900  
style: late victorian  
finish: highlight polish  
gas fire to suit: **MLG028**  
flue type: class 1 & 2  
gas fire heat input: **6.95kW**

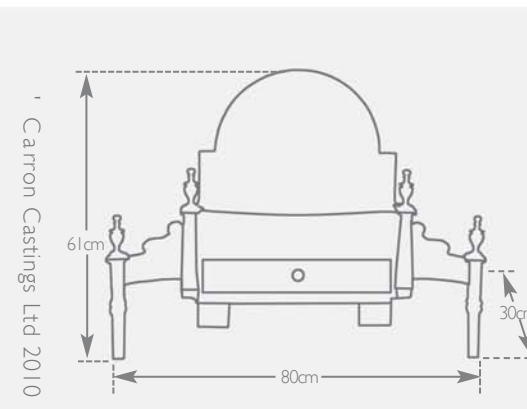


code: RX004  
circa: 1850  
style: georgian  
finish: highlight polish  
gas fire to suit: **MLG011**  
flue type: class 1 only  
gas fire heat input: **10.5kW**

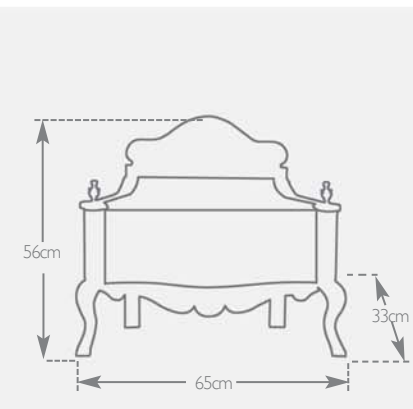


code: RX005  
circa: 1850  
style: georgian  
finish: highlight polish  
gas fire to suit: **MLG012**  
flue type: class 1 only  
gas fire heat input: **8.5kW**

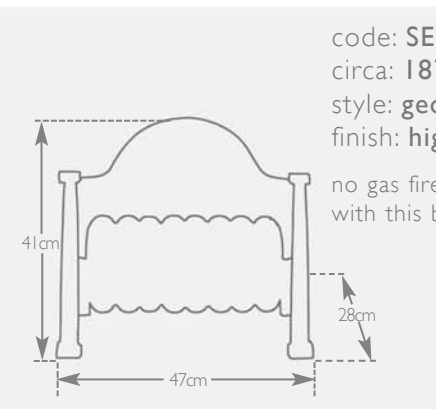
© Carron Castings Ltd 2010



code: SEF007  
circa: 1890  
style: victorian  
finish: highlight polish  
gas fire to suit: **MLG056**  
flue type: class 1 only  
gas fire heat input: **8.5kW**



code: SEF004  
circa: 1860  
style: early victorian  
finish: highlight polish  
gas fire to suit: **MLG027**  
flue type: class 1 only  
gas fire heat input: **11.5kW**



code: SEF006  
circa: 1870  
style: georgian  
finish: highlight polish  
no gas fire available with this basket

baskets



the scott



also available in black  
SEF010



the clyde



also available in black  
RX150



the georgian



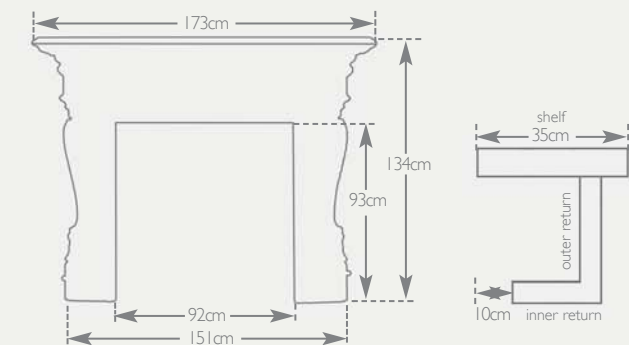
also available in black  
RX151



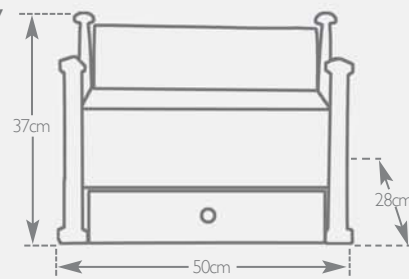
the buckingham



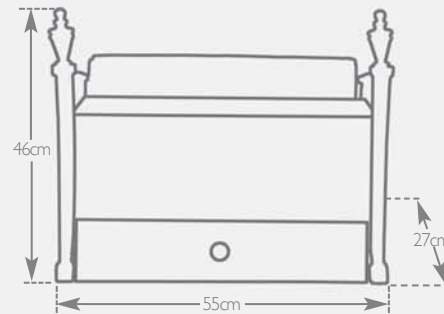
code: RX295  
finish: black



code: HEB143  
circa: 2001  
style: contemporary  
finish: full polish  
gas fire to suit:  
**MLG029**  
flue type:  
**class I only**  
gas fire heat input:  
**10.5kW**  
ashpan: **DJX041**



code: RX148  
circa: 1850  
style: late victorian  
finish: full polish  
gas fire to suit:  
**MLG002**  
flue type:  
**class I only**  
gas fire heat input:  
**8.95kW**



code: RX149  
circa: 1850  
style: georgian  
finish: full polish  
gas fire to suit:  
**MLG004**  
flue type:  
**class I only**  
gas fire heat input:  
**8.95kW**  
ashpan: **DJX040**



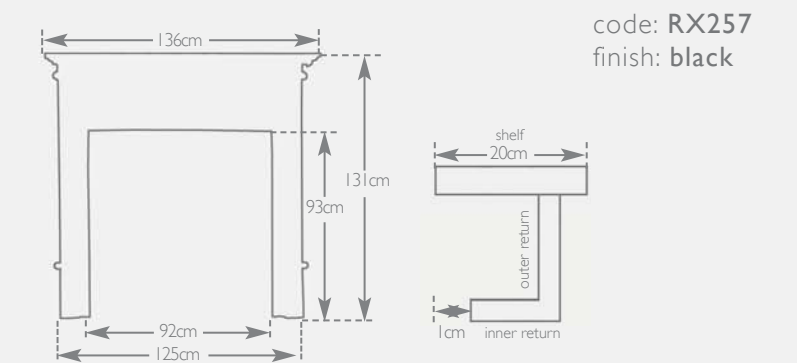
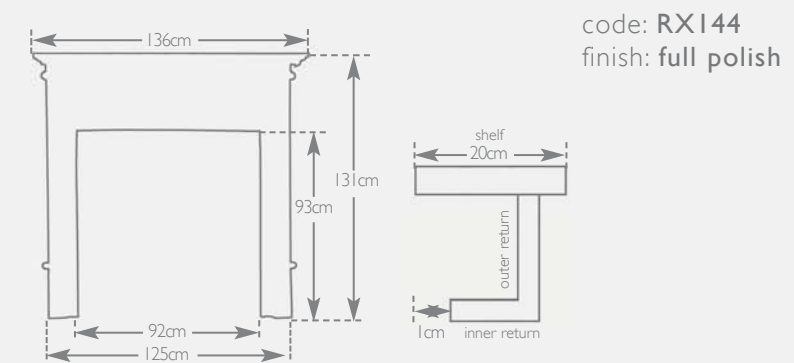
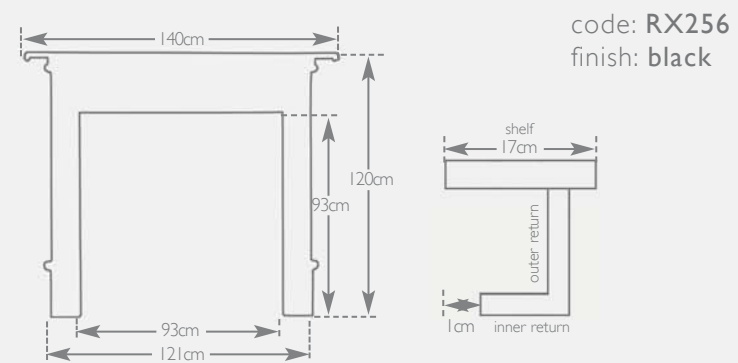
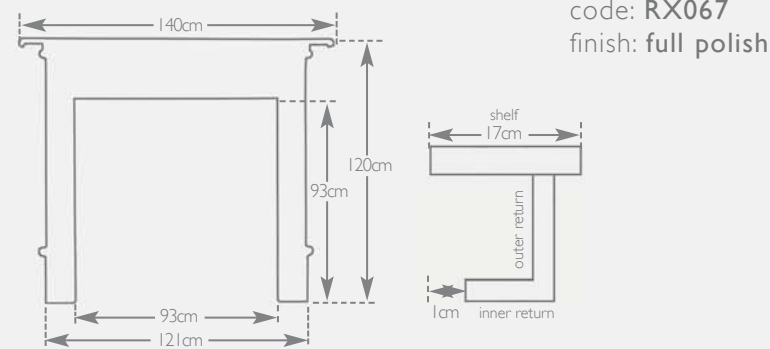


the alice

the alice

the belgrave

the belgrave



© Carron Castings Ltd 2010

© Carron Castings Ltd 2010

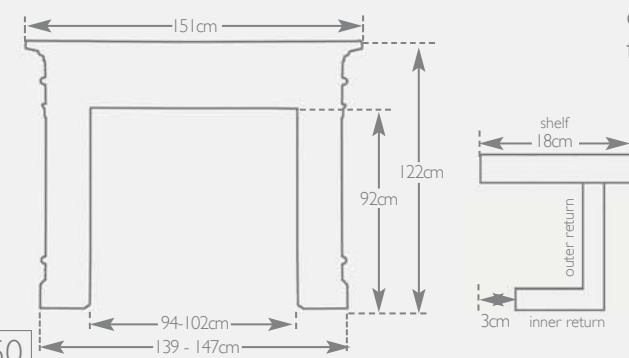


the somerset

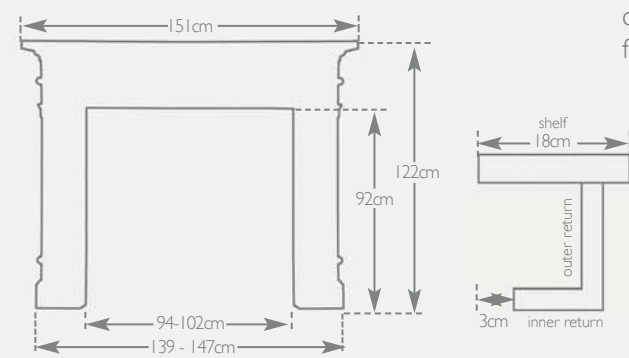
the somerset

the mayfair

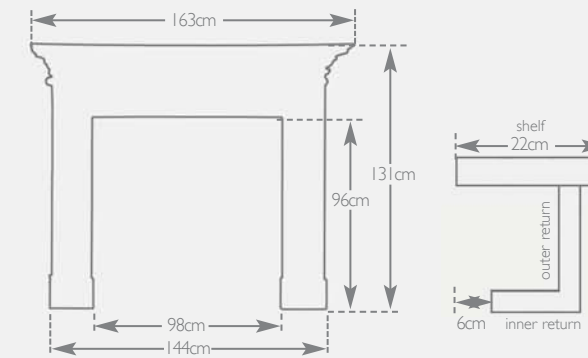
the regent



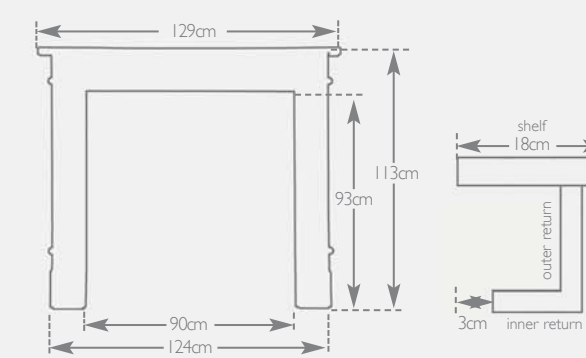
code: RX101  
finish: black



code: RX100  
finish: full polish



code: RX112  
finish: full polish



code: RX255  
finish: black

© Carron Castings Ltd 2010

© Carron Castings Ltd 2010

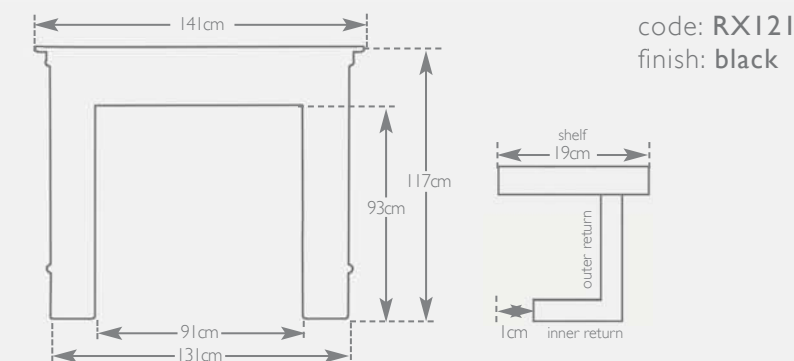
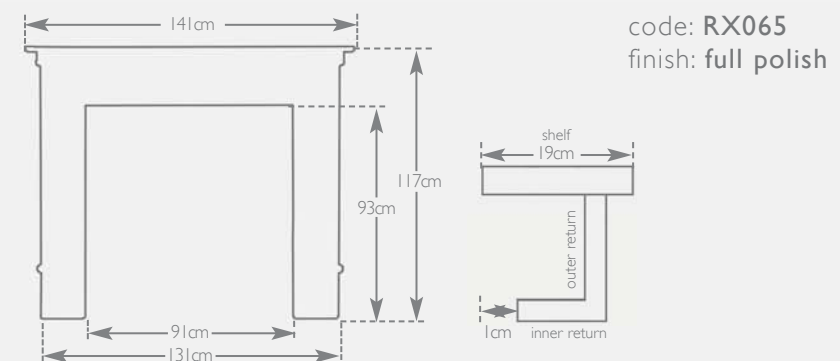
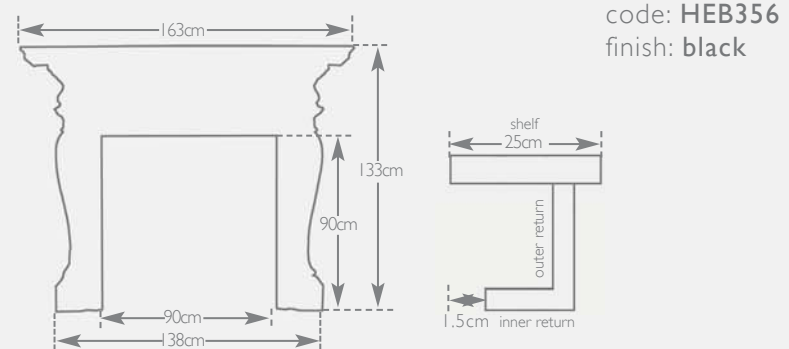
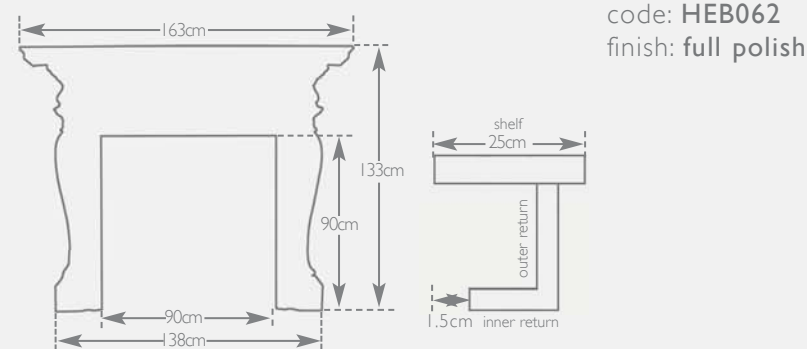


the knightsbridge

the knightsbridge

the albert

the albert



© Carron Castings Ltd 2010

© Carron Castings Ltd 2010

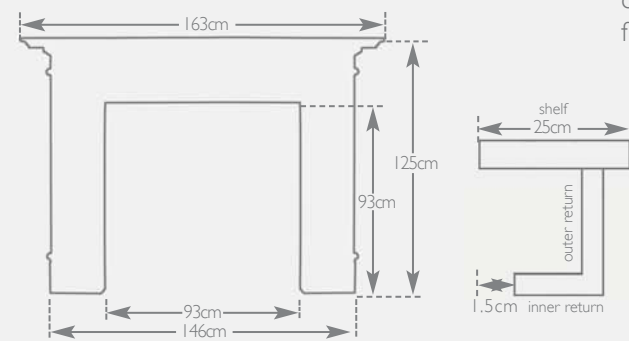


the hampton

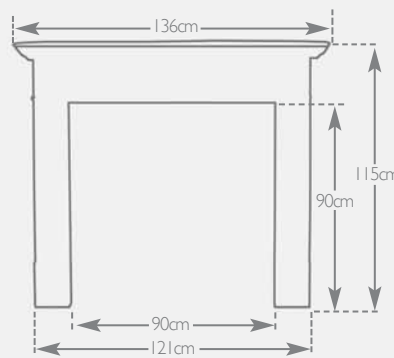
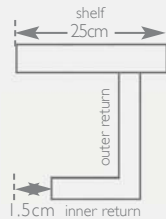
the grosvenor

the ashleigh

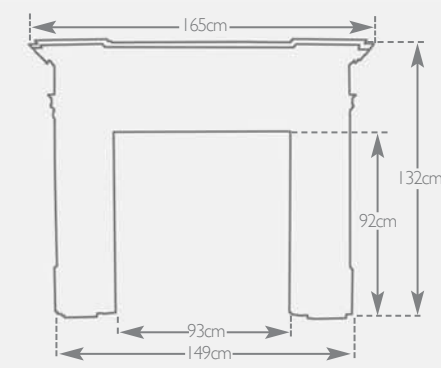
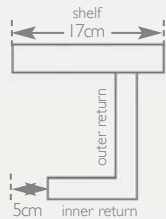
the kingsbury



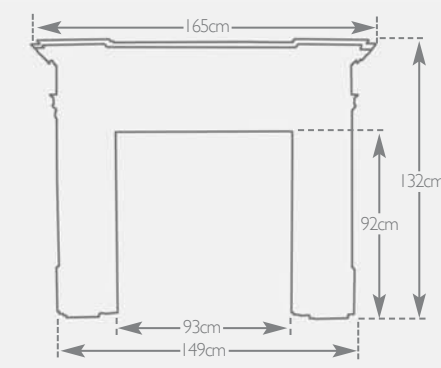
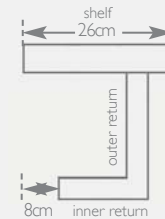
code: HEF311  
finish: black



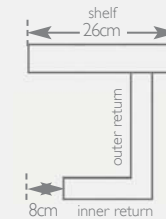
code: SMC093  
finish: distressed solid oak  
also available in unfinished SMC092



code: SMC095  
finish: distressed solid oak  
also available in unfinished SMC094



code: SMC091  
finish: distressed solid oak

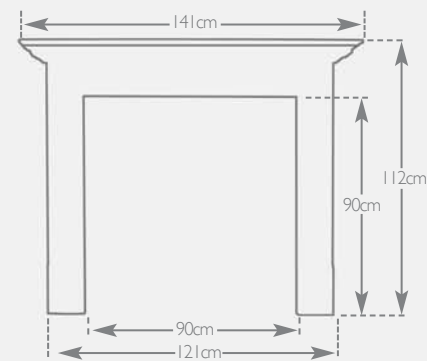


© Carron Castings Ltd 2010

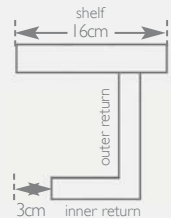
© Carron Castings Ltd 2010



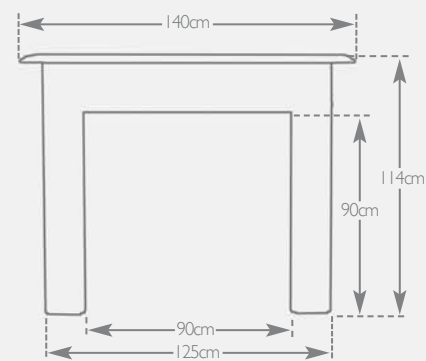
the portland



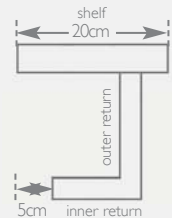
code: **SMCI01**  
finish: distressed solid oak



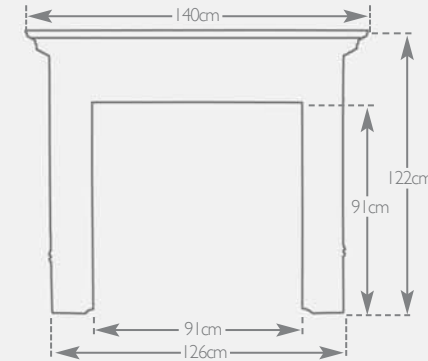
the earlswood



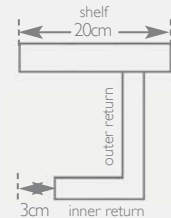
code: **SMCI03**  
finish: distressed solid oak



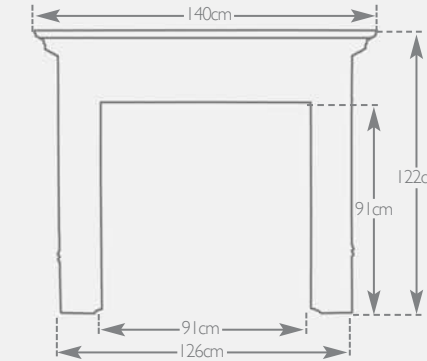
the corbel



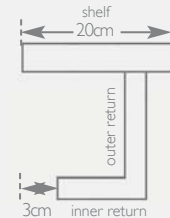
code: **SMC007**  
finish: waxed solid pine  
also available in  
unwaxed finish **SMC014**



the corbel



code: **SMCI18**  
finish: waxed solid oak



© Carron Castings Ltd 2010

© Carron Castings Ltd 2010

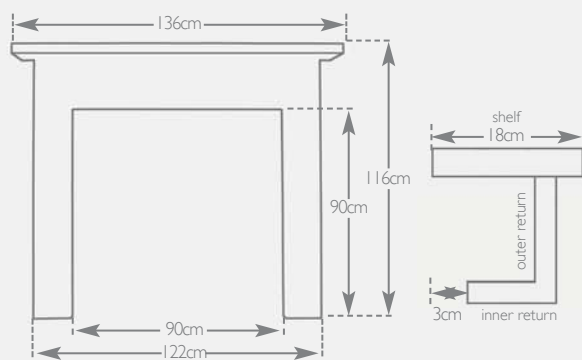


the wicklow

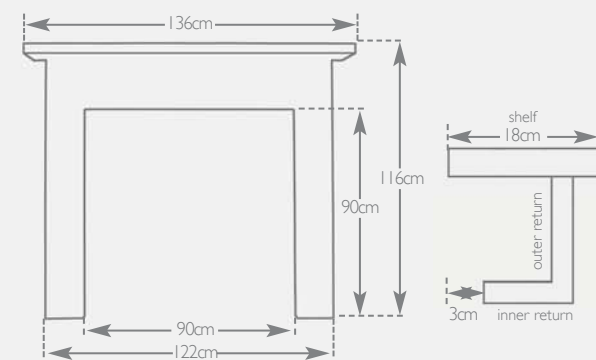
the wicklow

the edinburgh corbel

the edinburgh corbel

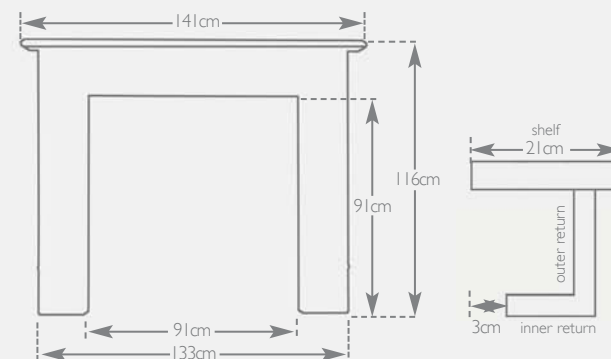


code: **SMC109**  
finish: **waxed solid pine**  
also available in  
**unwaxed finish SMC108**



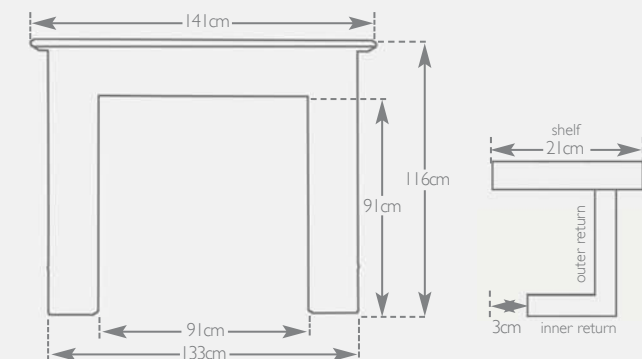
code: **SMC121**  
finish: **waxed solid oak**

© Carron Castings Ltd 2010



code: **SMC011**  
finish: **waxed solid pine**  
also available in  
**unwaxed finish SMC018**

© Carron Castings Ltd 2010



code: **SMC116**  
finish: **waxed solid oak**



the bullseye



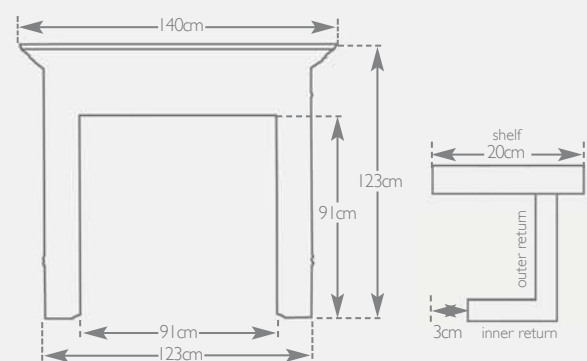
the grand



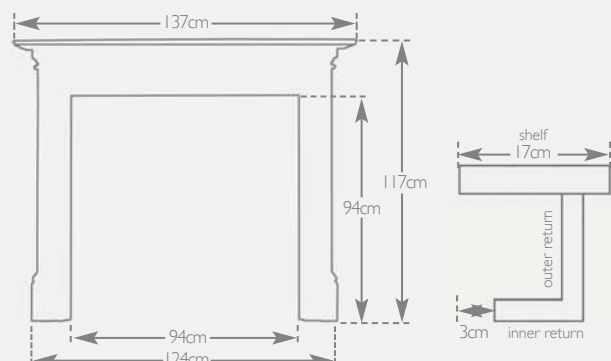
the derry



the derry

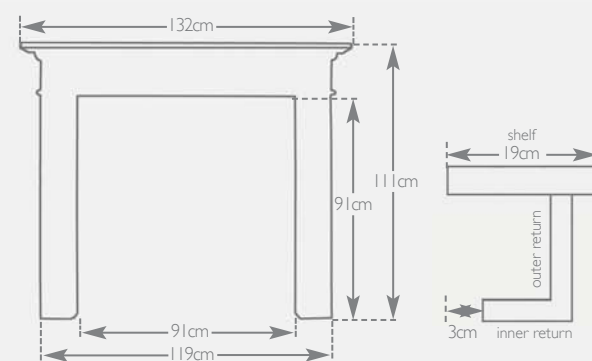


code: SMC008  
 finish: waxed solid pine  
 also available in  
 unwaxed finish SMC015



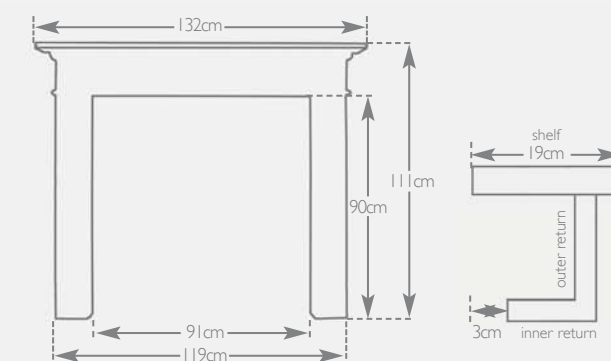
code: SMC117  
 finish: waxed solid oak

© Carron Castings Ltd 2010



code: SMC119  
 finish: waxed solid oak

© Carron Castings Ltd 2010



code: SMC002  
 finish: waxed solid pine  
 also available in  
 unwaxed finish SMC012



the wessex



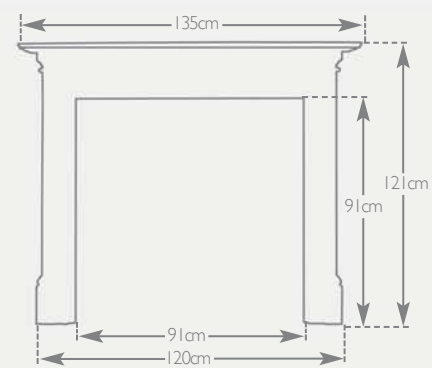
the wessex



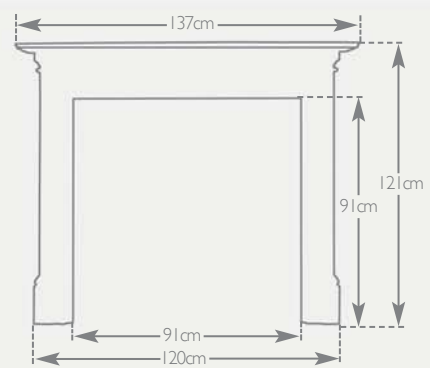
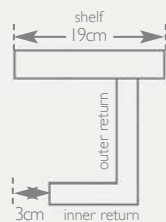
the wexford



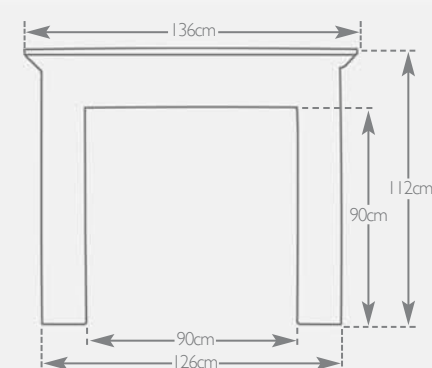
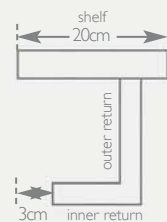
the wexford



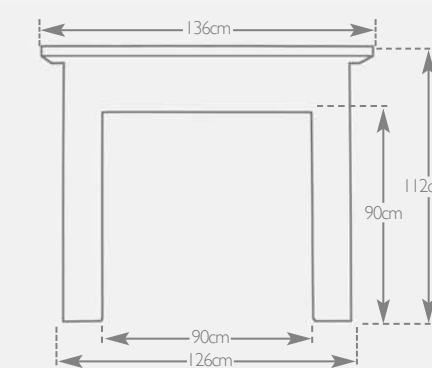
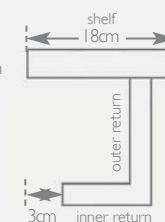
code: **SMC171**  
finish: waxed solid oak



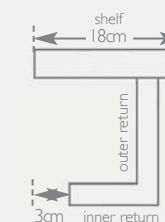
code: **SMC110**  
finish: waxed solid pine  
also available in  
unwaxed finish **SMC111**  
wide opening (waxed) **SMC113**  
wide opening (unwaxed) **SMC114**  
wide opening  
opening width **100cm**  
opening height **100cm**



code: **SMC107**  
finish: waxed solid pine  
also available in  
unwaxed finish **SMC106**



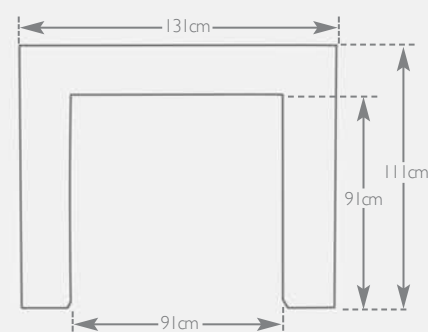
code: **SMC120**  
finish: waxed solid oak



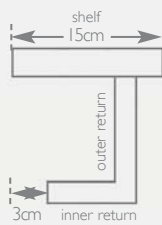
© Carron Castings Ltd 2010

© Carron Castings Ltd 2010

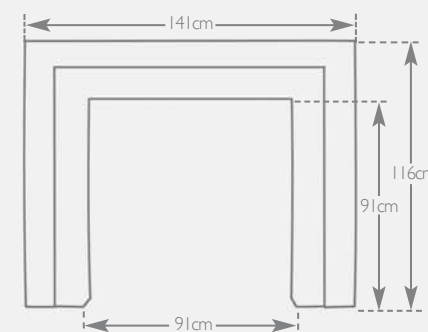
the nevada



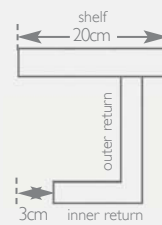
code: TH551  
finish: natural solid sheesham



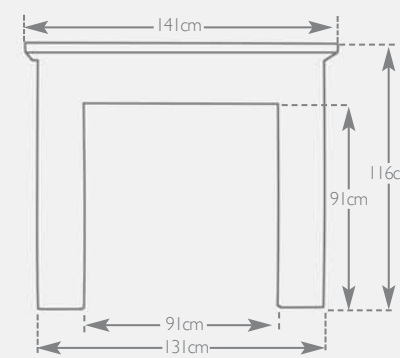
the vermont



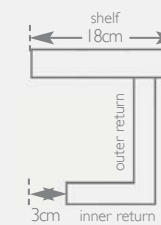
code: TH553  
finish: natural solid sheesham



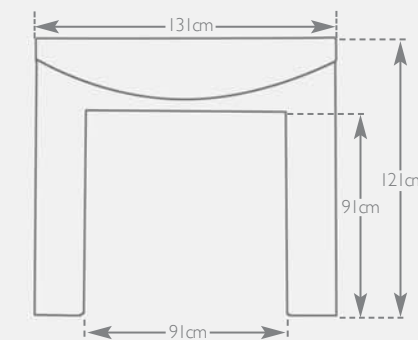
the colorado



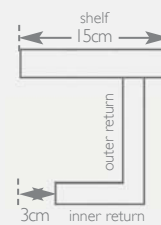
code: TH552  
finish: natural solid sheesham



the new hampshire



code: TH559  
finish: natural solid sheesham



© Carron Castings Ltd 2010

© Carron Castings Ltd 2010

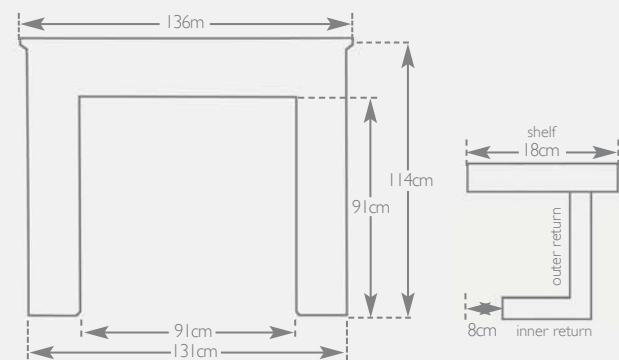


the new england

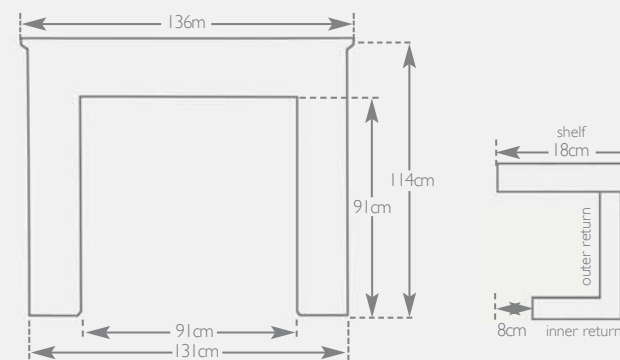
the new england

the new england

the new england



code: SMC151  
finish: light oak veneer

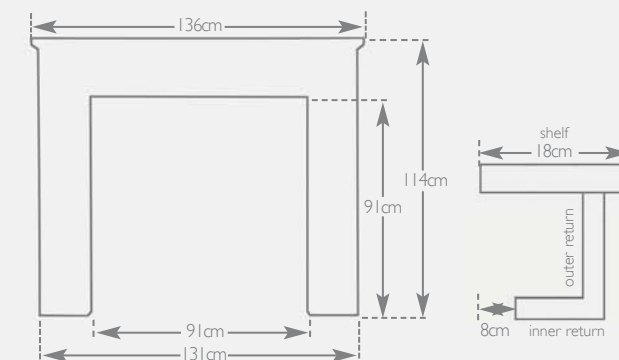


code: CLS281  
finish: dark solid fruitwood

also available in narrow opening MW736

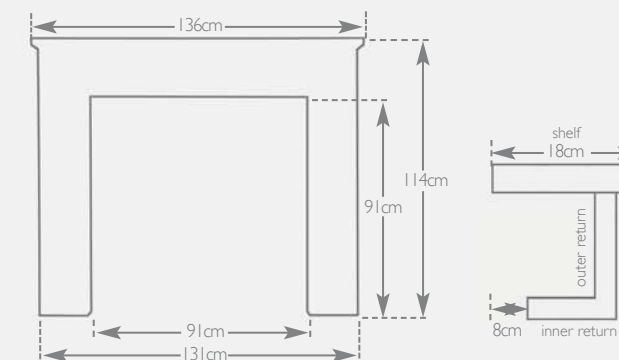
opening width 86cm  
opening height 86cm

© Carron Castings Ltd 2010



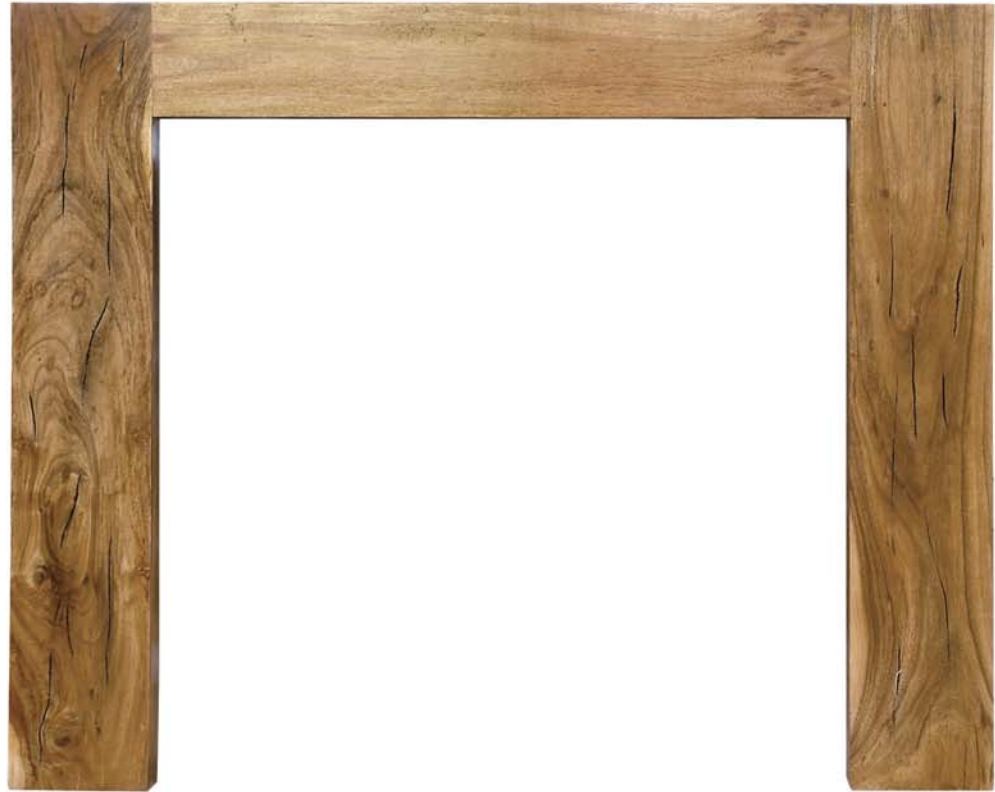
code: TH556  
finish: natural solid acacia

© Carron Castings Ltd 2010

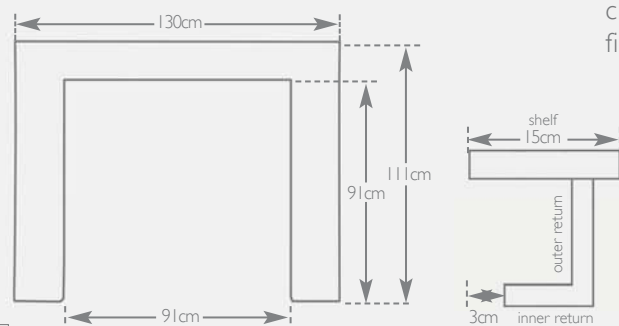


code: TH558  
finish: stone solid sheesham

the manhattan



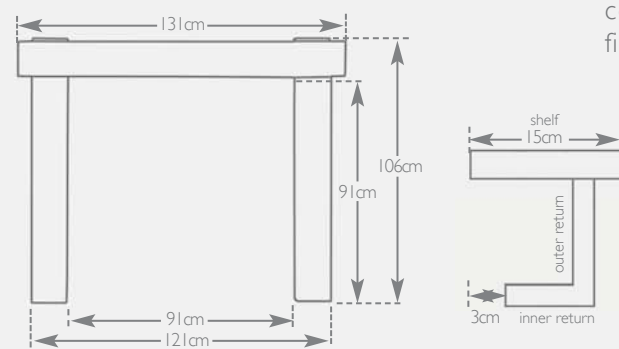
code: TH555  
finish: distressed solid acacia



the new york



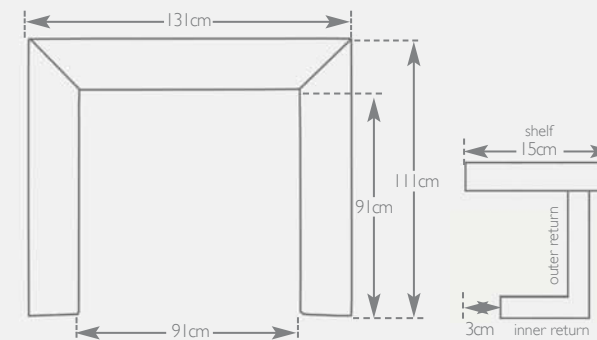
code: TH554  
finish: distressed solid acacia



the milan



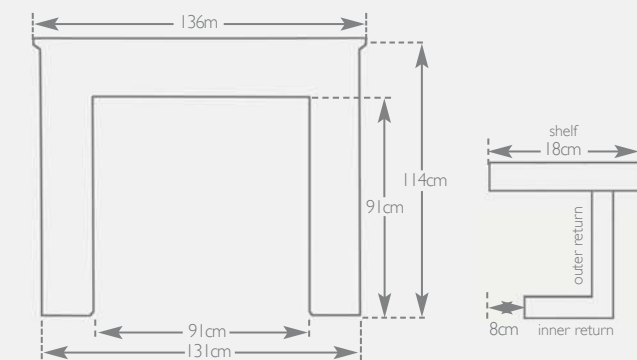
code: SSU068  
finish: stone sheesham



the thakat



code: SSU066/TH557  
finish: chestnut solid acacia



© Carron Castings Ltd 2010

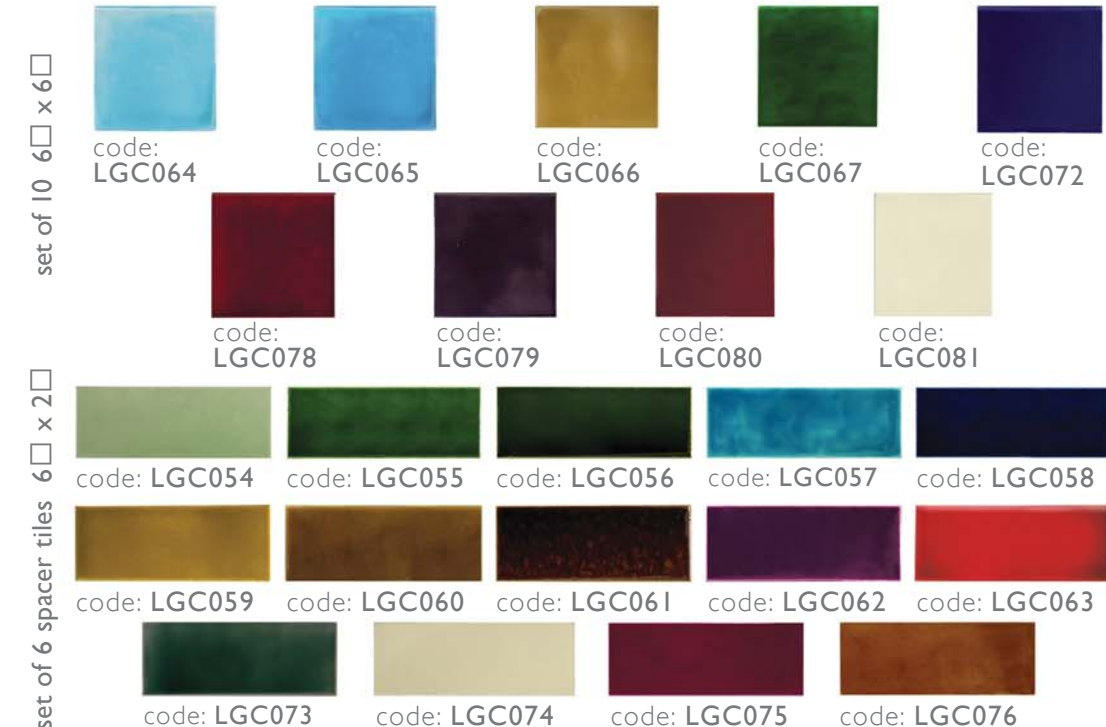
© Carron Castings Ltd 2010



## tiles



## tiles



## hearths

absolute black



### 1 piece hearths

size (cm)	code
92 x 38	HEF281
107 x 38	HEF282
127 x 38	HEF283
132 x 38	HEF284
137 x 38	HEF285
137 x 46	HEF088
152 x 46	HEF286
Slip Under	HEF299

### 4 piece hearths

size (cm)	code
127 x 38	HEF288
132 x 38	HEF289
137 x 38	HEF290
137 x 46	HEF087
152 x 46	HEF089
Slip Under	HEF299

## specifications

Please note all measurements are approximate and may vary slightly. Please allow a tolerance of plus/minus 10mm. We endeavour to ensure that all colours are as accurate as possible, however we recommend you check with your retailer before placing an order.

## solid fuels

If using solid fuels please be aware that they will discolour polished or brass products. If this is a concern we recommend selecting a full black finish. Do not use anthracite or petroleum coke as this will significantly reduce the life of the product.

## tiles

All our tube lined tiles are hand painted. The crazing that appears in the glaze is a natural characteristic for this type of product.

## fitting

The fitting of our products must be carried out or supervised by a **Hetas qualified solid fuel engineer**. We accept no responsibility for any products that are not installed in this way. A list of qualified engineers is available from [www.hetas.co.uk](http://www.hetas.co.uk)

## care of your fireplace

To keep your fireplace in prime condition, please follow these simple care instructions:-

### for full polish finish:-

Keep oiled using a thin coat of a light oil such as 3 in 1 oil. This treatment should be carried out twice a year or as required. Any surface rust should be removed using a fine wire wool and then re-oiled. Avoid exposing the cast iron surface to moisture.

### for highlight/black finish:-

Coat with an iron paste and buff up to enhance the finish of your fireplace. Do not use spray polish or any other method of cleaning than above.

Cast iron is a natural material, which is subject to minor imperfections and should be considered part of its characteristic.

We reserve the right to amend designs without prior notification. Please consult your retailer prior to placing an order.

## gas fires

All our gas fires are manufactured in the UK and comply to all CE requirements and British standard BSEN509:2000. They come complete with flame failure device and oxygen depletion system. All gas fires must be fitted by a Gas Safe registered installer.

